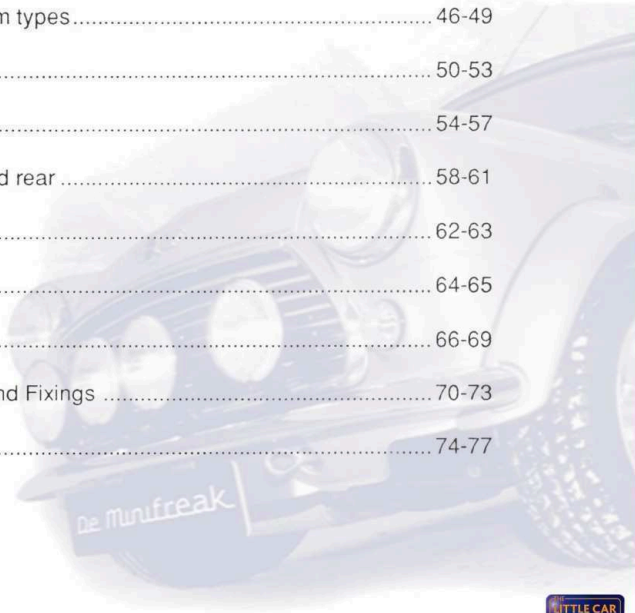
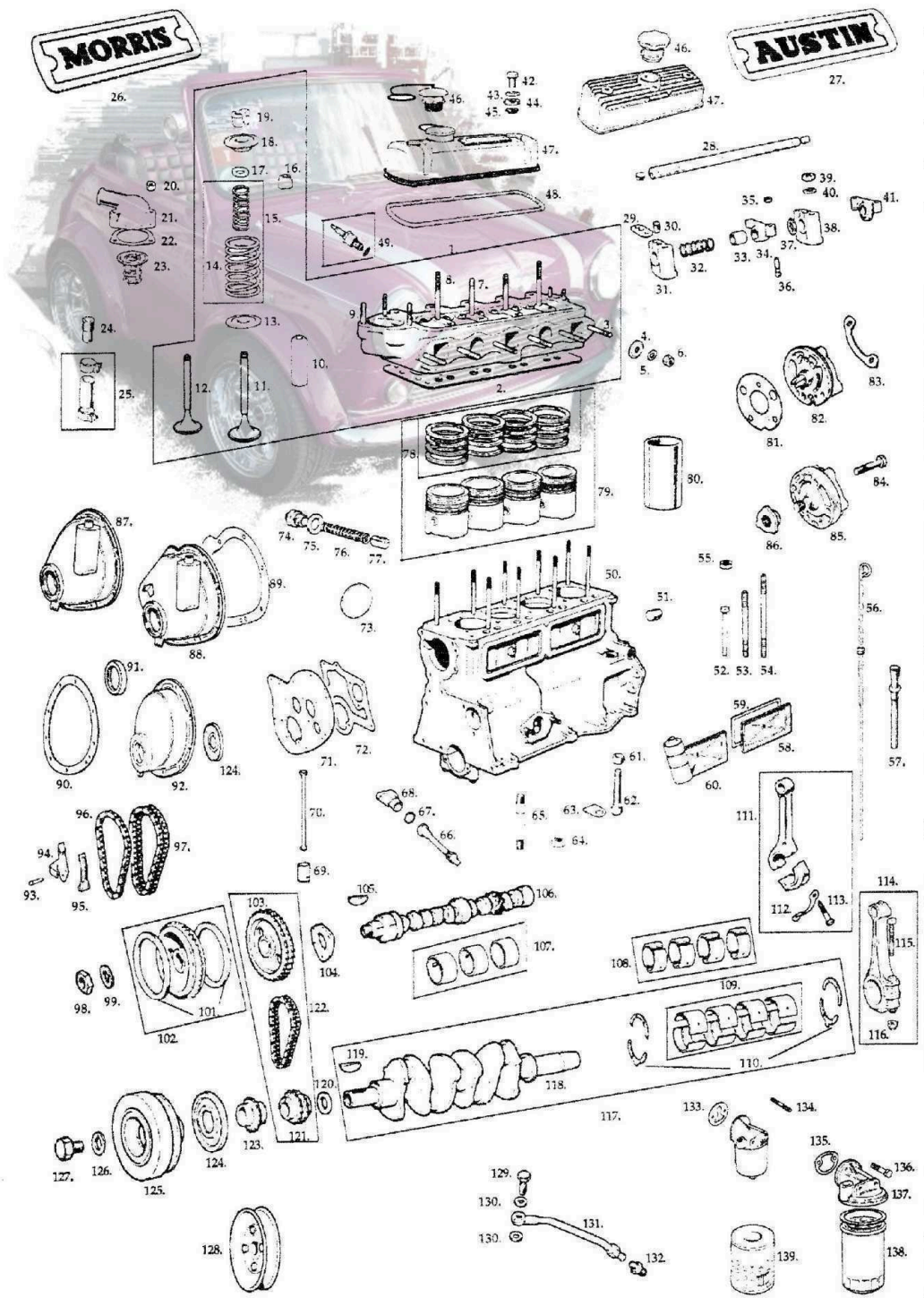


INDEX

CONTENTS	PAGE
Engines, Crankshaft and Cylinder Head	4-11
Engine Valve Chart, standard and performance	12
Camshaft Chart, standard and "Works" profiles	13
Clutch, Flywheel and Drop Gear assemblies	14-17
Gearbox, Differential and Gear Change	18-25
Ignition, Starting and Charging system	26-29
Fuel injection system	30-31
Carburettor, Fuel Pump and Fuel Tank	32-35
Exhaust Manifold, Exhaust System and Catalyst	36-39
Radiator, Fan and Water Hoses	40-43
Oil cooler, Emission Control and Engine Mountings	44-45
Brake components, Disc and Drum types	46-49
Braking Systems	50-53
Drive Shafts and Hub assemblies	54-57
Suspension components, front and rear	58-61
Subframes, front and rear	62-63
Steering Racks and Columns	64-65
Lights, front and rear	66-69
Electrical, Switches, Harnesses and Fixings	70-73
Instruments, Wipers and Horn	74-77





The Little Car Company : 5231 XA Den Bosch Ertveldweg 59; tel: +31 (0)73-6219 705; fax: +31 (0)73-6218 538; www.tlcc.nl; sales@tlcc.nl

No.	PART No.	DESCRIPTION.	QTY	REMARKS.
1	MS 850E	Cylinder head assembly, complete	1	850
1	MS 998E	Cylinder head assembly, complete	1	998
1	MS 998/AE	Cylinder head assembly, complete	1	998 A+
1	MS 1098E	Cylinder head assembly, complete	1	1098
1	MS 1275/9E	Cylinder head assembly, complete	1	1275 9stud) 12G940
1	MS 1275/11E	Cylinder head assembly, complete	1	1275 11stud) type
2	GUG 2506 HG	Cylinder head gasket	1	850/998/1098
2	TAM 1521B	Cylinder head gasket	1)
2	AF 460	Cylinder head gasket, comp type	1)1275/1400/A+
3	53K 487	Inlet & exhaust manifold stud	6	
4	12A 1211	Manifold clamping washer	4	
5	GHF 301	Manifold plain washer	2	
6	GHF 261	Manifold nut (brass)	6) Alternatives
6	GHF 201	Manifold nut (steel)	6)
7	CHS 522	Rocker pedestal stud (short)	2	
8	51K 885	Rocker pedestal stud (long)	2	
9	CHS 2515	Thermostat housing stud	3	
10	VAG 50911	Valve guide set, steel	1	
10	MS 2095	Valve guide set, Colisbro bronze	1	
11		Exhaust valve		SEE SEPARATE
12		Inlet valve		VALVE CHART
13	AEA 403	Valve spring bottom locating collar	8	Double springs
14	451458	Valve spring set, single	1	850/998/1098
14	451662	Valve spring set, single	1	1275
15	451579	Valve spring set, double	1	850/998/1098
15	451635	Valve spring set, double	1	1275
16	MS 2629	Valve stem seal, set	4	Cooper S/1275 cup type
17	2A 879B	Valve stem seal, set	8	Ring type
18	88G 617	Valve spring top cap	8	Single cotter groove
18	AHU 1897	Valve spring top cap	8	Tripple cotter groove
19	2A 11	Valve spring cotter,pairs	8	850/998/1098 type 1
19	88G 459	Valve spring cotter,pairs	8	Single groove, type 2
19	CAM 6975	Valve spring cotter,pairs	8	Tripple groove, type 3
20	GHF 201	Thermostat housing nut	3	
	GHF 301	Housing spring washer	3	
21	12G 103	Thermostat housing	1	Non Catalyst
21	12A 408	Thermostat housing	1	Tapped type
21	PEQ 10010	Thermostat housing	1	Catalyst type HIF38
21	PEQ 10019	Thermostat housing	1	Catalyst type HIF44
	PEM 10036	Spacer block with tapped adaptor	1	Catalyst type HIF44
	PEG 10002	Spacer block	1	Use with PEQ10010
	DAM 7760	Retaining bolt	3	
22	GTG 101	Thermostat gasket	A/R	
23	GTS 102	Thermostat 74 C	1)
23	GTS 104	Thermostat 82 C	1) Alternatives
23	GTS 108	Thermostat 88 C	1)
24	12A 2075	By pass hose adaptor	1	
25	MS 2241	By pass hose kit	1	
26	MMP 3003	Morris rocker cover plate	1	
26	MML 3002	Morris rocker cover sticker	1	
27	LMG 1026	Austin rocker cover plate	1	
27	LMG 1032	Austin rocker cover sticker	1	
	LMG 1034	Weslake patents plate	1	
	LMG 1016	Weslake patents sticker	1	
28	MS 5860	Rocker shaft	1	
28	MS 5860 T	Rocker shaft	1	Nitrocarburised
29	2A 259	Pedestal plate	1	
30	2A 258	Pedestal locating screw	1	
31	12G 1927	Rocker pedestal tapped	1	
32	6K 556	Rocker spacer spring	3	
33	GS 8419 L	Rocker bush set	1	Except sintered type
34	CAM 289	Rocker arm	8	Sintered steel type
35	51K 1178	Adjusting screw lock nut	8	
36	12H 3376	Tappet adjusting screw	8	
37	AEG 168	Rocker arm distance piece	6	
38	12G 1926	Rocker pedestal, oil hole type	3	
39	GHF 201	Pedestal nut	4	
40	GHF 332	Spring washer	4	
41	2A 964	Rocker arm, pressed steel	8)Use
41	12G 1313	Rocker arm, pressed steel, 1275	8)CAM 289
42	2A 150	Rocker cover nut	2	

Engine

5

No.	PART No.	DESCRIPTION.	QTY.	REMARKS.
42	CAM 6823	Rocker cover nut,long,chrome type	2	Suit alloy rocker covers
43	1B 2925	Distance piece for nut	2	
44	1A 2156	Cup washer	2	
45	12A 1358	Rocker cover bush, rubber	2	
46	GFE 6003	Oil filler cap,black	1	
46	GFE 6004	Oil filler cap,red	1	Suit MS 0415/RC100
47	12A 1530	Rocker cover,steel	1	Breather type
47	LDR 10074	Rocker cover,steel	1	A+ type
47	MS 0415	Polished alloy rocker cover	1	A+ type
47	MRC 006	Polished alloy rocker cover	1	Flat ribbed type
47	RC 100	Mini Sport rocker cover, alternative colours,	1	Polished,red,black,blue
48	GUG 5009 VC	Rocker cover gasket	1	All models except 11 stud
48	GUG 5038 VC	Rocker cover gasket	1	Cooper 'S' /11 stud
49	GSP 4362	Spark plug	4	Equiv. Champion N9Y
49	GSP 4382	Spark plug	4	Equiv. Champion N12Y
49	GSP 4352	Spark plug	4	Equiv. Champion N6Y
49	GSP 4482	Spark plug	4	1990 on,suppressed plug
49	GSP 4462	Spark plug	4	Cooper injection
50	MIN 850E	Cylinder block assembly	1	850
50	MIN 998E	Cylinder block assembly	1	998
50	MIN 998/CE	Cylinder block assembly	1	Cooper 998
50	MIN 998/AE	Cylinder block assembly	1	998 A+
50	MIN 1098E	Cylinder block assembly	1	1098
50	MIN 1275/9E	Cylinder block assembly	1	1275
50	MIN 1275/9AE	Cylinder block assembly	1	1275 A+
50	MIN 1275/11E	Cylinder block assembly	1	1275 11stud
50	MIN 1275/11AE	Cylinder block assembly	1	1275 A+ 11stud
50	MIN 1400/11E	Cylinder block assembly	1	1400 11stud
50	MIN 1400/11AE	Cylinder block assembly	1	1400 A+ 11stud
51	12G 3503	Oil gallery plug	2	
52	AEG 248	Cylinder head bolt	1	All 11 stud heads
53	CAM 151	Cylinder head stud (short)	5/6	
54	CAM 150	Cylinder head stud (long)	4	
55	51K 1193	Cylinder head nut	9/10	
	GHF 302	Head nut washer	9/10	
55	CAM 4545	Cylinder head nut	9/10	Washer built in
56	12A 116	Oil dip stick	1	850, tube not fitted
56	12A 116	Oil dip stick	1	Engines with tube fitted
56	LQM 100380	Oil dip stick	1	A+ engines
57	12G 107	Dip stick tube, nylon	1	Not 850 or A+ engines
58	12A 1386	Tappet cover plain	1/2)
59	12A 1175B	Cover gasket (cork)	2)Not 1275 block
59	12A 1175R	Cover gasket (rubber)	2)
60	12A 1212	Tappet cover breather type	1	
61	12G 1268	Main cap locating ring	6	1275 / A+
62	12A 1910	Main bearing bolt	6	
62	12G 1398	Main bearing bolt	6	1275 / A+
63	6K 927	Main cap lock washer	6	850/998/1098
64	88G 301	Main bearing cap nut	6)
65	AEG 323	Main bearing stud long	2) Cooper 'S'
65	12G 478	Main bearing stud short	4)
66	12G 4499	Distributor drive spindle	1	
66	12G 3560	Distributor drive spindle	1	A+ type
67	13H 2792	'O' ring seal	1) Non A+
68	12A 1136	Distributor housing	1) type
69	MS 5950	Cam follower set	1	All engines
70	2A 14	Push rod set	1	All except 1275/1400
70	AEG 314	Push rod set	1	All 1275/1400
71	12G 2626	Engine front mounting plate	1	Simplex type
71	AEG 161	Engine front mounting plate	1	Duplex type
72	12G 619B	Mounting plate gasket	1	
72	CAM 4700 B	Mounting plate gasket	1	For 12G 2626 plate
73	CPS 1	Core plug set	1	850/998/1098
73	CPS 3	Core plug set	1	Cooper 'S'
73	CPS 2	Core plug set	1	1275/1400/1430
74	12A 1851	Release valve nut	1	
75	6K 431B	Release valve washer (copper)	1	
76	6K 853	Release valve spring	1	
77	12H 865	Oil pressure release valve	1	
78	R 8577	Piston ring set std +020" +040" +060"	1	998/A+ (20773) piston
78	R 39400	Piston ring set std +020" +040" +060"	1	Cooper 998 (20950) piston

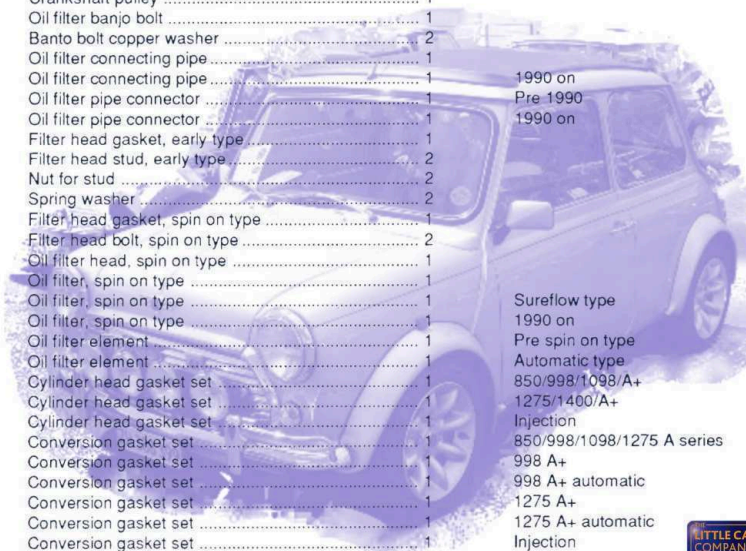
Engine

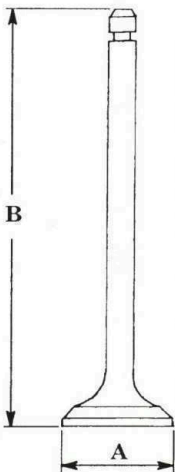
7

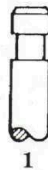
No.	PART No.	DESCRIPTION.	QTY.	REMARKS.
78	R 32026	Piston ring set std +020" +040" +060"	1	1098 (20397) piston
78	R 41720	Piston ring set std +020" +040" +060"	1	970 Cooper (21522) piston
78	R 35960	Piston ring set std +020" +040" +060"	1	1275 (21251) piston
78	R 41570	Piston ring set std +020" +040" +060"	1	1275 (21253) piston
78	R 39390	Piston ring set, std +020"	1	1400 (20659) piston
79	15037/V1	Piston set assembly std +020"+040"+060"	1	850
79	20773	Piston set assembly std +020"+040"+060"	1	998 dished, circlip type
79	20754	Piston set assembly std +020"+040"+060"	1	998 A+ flat, circlip type
79	22463	Piston set assembly std,+020" flat top	1	998 A+) interference
79	22464	Piston set assembly std,+020" dished	1	998 A+) fit type pin
79	20950/KR	Piston set assembly std +020"+040"+060"	1	Cooper 998
79	20397/V1	Piston set assembly std +020"+040"+060"	1	1098 8.5:1 CR
79	21882	Piston set assembly std +020"+040"+060"	1	970 Cooper S, flat top
79	21251	Piston set assembly std +020"+040"+060"	1	1275 8.8:1 CR
79	21253	Piston set assembly std +020"+040"+060"	1	Cooper S 9.75:1 CR
79	20659/KR	Piston set assembly std +020"	1	1400 cast
79	ACC 1028	Piston set assembly std +020"	1	1400 forged
80	SU 2893	Cylinder liner	4	850
80	SU 3367	Cylinder liner	4	998/1098/A+
80	SU 3598	Cylinder liner	4	Cooper S/1275/A+
81	12G 730	Oil pump gasket	1	
82	MS 5800	Oil pump, peg drive	1	850/998/1098
82	MS 5811	Oil pump, slot type	1	998/1098/A+
82	MS 5812	Oil pump, slot type	1	1275 A+
82	MS 5813	Oil pump, slot type	1	Turbo
82	MS 5816	Oil pump	1	Automatic
83	12G 926	Oil pump lock washer	1	Peg drive pumps
84	BH 604141	Oil pump bolt	A/R	
84	TAM 1174	Oil pump bolt	A/R	1275
85	MS 5801	Oil pump, spider type	1	1275
86	CHM 108	Oil pump drive piece	1	Spider type pump
	12G 2097	Lock washer, long type	1) Centric type
	12G 2098	Lock washer, short type	1) spider pumps
87	12G 2507	Timing cover	1	Breather type)Pre A+
88	12G 2623	Timing cover	1) Tensioner)type
88	CAM 4868	Timing cover	1) breather)A+ type.
88	LJR 10168	Timing cover	1) type)1990 on
89	12G 2625B	Timing cover gasket	1	Tensioner type
90	12A 956B	Timing cover gasket	1	
91	88G 561	Timing cover oil seal	1	
92	12G 2506	Timing cover	1	Ring tensioner type) Pre A-
92	CAM 4640	Timing cover	1	Pad tensioner type) type
92	CAM 4906	Timing cover	1	A+ type
93	12G 2629	Tensioner pad pivot pin	1	Simplex
94	12G 2628	Tensioner pad mounting plate	1	Simplex
95	12G 2621	Timing chain tensioner pad	1) 998/1098
96	MS 5900	Timing chain, simplex	1) 1275 A+
97	MS 5901	Timing chain, duplex	1	Cooper 'S'/1275/1400/A+
98	6K 629	Camshaft gear nut	1	
99	2A 759	Camshaft gear lock washer	1	
101	8G 549	Tensioner rings	2	To fit 2A85 gear
102	2A 85	Camshaft gear, tensioner ring type	1	850/998/1098
	12G 4337	Camshaft gear, simplex	1	850/998/1098/A+
103	12G 1397	Camshaft gear, duplex	1	Cooper 'S'/1275/1400/A+
104	AHU 2379	Camshaft locating plate	1	
105	WKN 505	Camshaft woodruff key	1	
106		CAMSHAFTS.		SEE SEPARATE CHART
107	C 3046 S	Camshaft bearing set	1	850/998/1098/A+
107	C 3063 S	Camshaft bearing set	1	S/1275/1400/A+
108	B 4302 SA	Connecting rod bearing set std to 040"u/s	1	850/998/1098/ 'S'
108	VPR 572	Connecting rod bearing set Vandervell, std to 040"	1	850/998/1098/ 'S'
108	B 4484 SA	Connecting rod bearing set std to 040"u/s	1	1275/1400/A+
108	VPR 91306	Connecting rod bearing set Vandervellstd to 040"	1	1275/1400/A+
109	M 3314 LB	Main bearing set std to 040" u/s	1	850/998/1098
109	M 3427 SA	Main bearing set std to 040" u/s	1	998 A+ ,centre tag
109	M 3337 SA	Main bearing set std to 040" u/s	1	1275/1400
109	M 3424 SA	Main bearing set std to 040 "u/s	1	1275/1400/A+, centre tag
109	VPM 733	Main bearing set Vandervell std to 040"u/s	1	850/998/1098
109	VPM 91120	Main bearing set, Vandervell std to 040"u/s	1	1275/1400
109	VPM 91886	Main bearing set, Vandervell std to 040"u/s	1	1275/1400 A+
110	W 2079L	Thrust washer set std/003"/030"o/s	1	850
110	W 2122L	Thrust washer set std/003"/030"o/s	1	998/1098/A+



No.	PART No.	DESCRIPTION.	QTY.	REMARKS.
110	W 2136L	Thrust washer set std/003"/030"o/s	1	Cooper S /1275 /1400/A+
110	VPW 94	T/washer set,Vandervell std/003"/030"o/s	1	850
110	VPW 81	T/washer set,Vandervell std/003"/030"o/s	1	998/1098/A+
110	VPW 41	T/washer set,Vandervell std/003"/030"o/s	1	Cooper S /1275 /1400/A+
111	RCR 1/62E	Connecting rod set, clamp type pin	1	850/997/1098
111	RCR 2/63E	Connecting rod set, circlip type pin	1	998/1098 A+
112	2A 660	Big end lock washer	4	850/998/1098
113	12G 2217	Connecting rod bolt	8	850/998/1098
114	12A 1997/9	Connecting rod set	1	998 A+,interference pin
114	RCR 3E	Connecting rod set	1	1275
114	RCR 80E	Connecting rod set	1	1275/1400/ A+
115	AEG 519	Connecting rod bolt	8	Cooper S
115	LFH 10006	Connecting rod bolt	8	1275/1400/A+
116	AEG 147	Connecting rod nut	8	Cooper S
116	13H 5872	Connecting rod nut	8	1275/1400
117	MS 5200E	Crankshaft assembly with bearings	1	850,1.5" dia. nose
117	MS 5201E	Crankshaft assembly with bearings	1	998 A+
117	MS 5202E	Crankshaft assembly with bearings	1	998
117	MS 5204E	Crankshaft assembly with bearings	1	1098
117	MS 5205E	Crankshaft assembly with bearings	1	1275 A+
117	MS 5206E	Crankshaft assembly with bearings	1	1275/1400
117	MS 5200TE	Crankshaft assembly with bearings	1	850 Nitrocarburised
117	MS 5201TE	Crankshaft assembly with bearings	1	998 A+ Nitrocarburised
117	MS 5202TE	Crankshaft assembly with bearings	1	998 Nitrocarburised
117	MS 5204TE	Crankshaft assembly with bearings	1	1098 Nitrocarburised
117	MS 5205TE	Crankshaft assembly with bearings	1	1275 A+ Nitrocarburised
117	MS 5206TE	Crankshaft assembly with bearings	1	1275 Nitrocarburised
118	MS 5122	Crankshaft assembly reground	1	850,1.5" dia. nose
118	MS 5116	Crankshaft assembly reground	1	998/A+/Cooper 998
118	MS 5121	Crankshaft assembly reground	1	1098
118	MS 5114	Crankshaft assembly reground	1	1275/1400/A+
119	6K 836	Crankshaft woodruff key	1	
120	6K 628	Crankshaft gear spacer shim	A/R	
121	AEA 695	Crankshaft gear, duplex	1	Cooper S/1275/1400/A+
122	MS 2088	Duplex timing gears & chain set	1	
122	MS 2092	Lightened duplex gears & chain set	1	
123	8G 725	Crankshaft gear, simplex	1	850/998/1098/A+
124	12A 1148	Oil thrower	1	
125	CAM 4929	Crankshaft pulley/damper	1	
125	AHU 1878	Crankshaft pulley/damper	1	A+ engines
126	12A 398	Pulley bolt lock washer	1	
127	AEA 312	Pulley retaining bolt	1	
127	TAM 2019	Pulley retaining bolt	1	A+ engines
128	CAM 6323	Crankshaft pulley	1	
129	2A 715	Oil filter banjo bolt	1	
130	AED 172	Banto bolt copper washer	2	
131	TAM 2106	Oil filter connecting pipe	1	
131	LQP 10033	Oil filter connecting pipe	1	1990 on
132	TCZ 106	Oil filter pipe connector	1	Pre 1990
132	TAM 2119	Oil filter pipe connector	1	1990 on
133	88G 402B	Filter head gasket, early type	1	
134	CHS 2613	Filter head stud, early type	2	
	GHF 202	Nut for stud	2	
	GHF 333	Spring washer	2	
135	12A 2035B	Filter head gasket, spin on type	1	
136	LYG 10008	Filter head bolt, spin on type	2	
137	TAM 2097	Oil filter head, spin on type	1	
138	GFE 148	Oil filter, spin on type	1	
138	GFE 21	Oil filter, spin on type	1	Sureflow type
138	GFE 166	Oil filter, spin on type	1	1990 on
139	GFE 103	Oil filter element	1	Pre spin on type
139	GFE 104	Oil filter element	1	Automatic type
	GEG 102	Cylinder head gasket set	1	850/998/1098/A+
	GEG 1140	Cylinder head gasket set	1	1275/1400/A+
	GUG 1090HS	Cylinder head gasket set	1	Injection
	GEG 206	Conversion gasket set	1	850/998/1098/1275 A series
	GUG 1509CS	Conversion gasket set	1	998 A+
	GUG 1511 CS	Conversion gasket set	1	998 A+ automatic
	BHM 1392B	Conversion gasket set	1	1275 A+
	GUG 1561CS	Conversion gasket set	1	1275 A+ automatic
	GUG 1560 CS	Conversion gasket set	1	Injection
	YXE 2012	Lock washer set	1	



	MODEL & TYPE.	TYPE & PART NUMBER. (O. E. PART NUMBER).	DIAMENSIONS.		GROOVE TYPE.
			A	B.	
	848cc. 1959-69.	Inlet. V 2710 (2A 877)	27.90mm	87.40mm	1
		Exhaust. V 3569 (AEA 434)	25.50mm	87.00mm	1
	848cc. 1969-80.	Inlet. V 34858 (12A 1986)	27.86mm	87.45mm	2
	Exhaust. V 34859 (12A 1987)	25.53mm	86.92mm	2	
	997cc Cooper.1961-64.	Inlet. (AEA 574)			
	Exhaust. V 3604 (AEA 400)	25.50mm	86.92mm	1	
	998cc. 1963-69.	Inlet. V 2710 (2A 877)	27.90mm	87.40mm	1
	Exhaust. V 3569 (AEA 434)	25.50mm	87.00mm	1	
	998cc A+. 1969-80.	Inlet. V 34858 (12A 1986)	27.86mm	87.45mm	2
	Exhaust. V 34859 (12A 1987)	25.53mm	86.92mm	2	
	998cc A+ .1980 on.	Inlet. V 90146 (CAM 6502)	28.10mm	87.45mm	2
	Exhaust. V 90147 (CAM 6505)	25.53mm	86.99mm	2	
	998cc. 1980 on.	Inlet. V 91141 (CAM 6391)	27.79mm	87.32mm	3
	Exhaust. V 91142 (12A 1987)	25.43mm	86.85mm	3	
	998cc Cooper. 1965-70. 12G 295 Casting.	Inlet. V 34167 (12G 296)	31.00mm	87.30mm	1
	Exhaust. V 3604 (AEA 400)	25.50mm	86.92mm	1	
	1098cc. 1975-80.	Inlet. V 34860 (12G 3036)	29.36mm	87.33mm	2
	Exhaust. V 34859 (12A 1987)	25.53mm	86.92mm	2	
	1098cc A+. 1980 on.	Inlet. V 91141 (CAM 6391)	27.79mm	87.32mm	3
	Exhaust. V 91142 (12A 1987)	25.43mm	86.85mm	3	
	1275cc. 1970-75.	Inlet. V 34274 (12G 941)	33.40mm	90.93mm	2
	Exhaust. V 90194 (12G 1322)	29.44mm	90.81mm	2	
	1275cc A+ 1990 on.	Inlet. V 90356 (TAM 1058)	35.75mm	90.68mm	3
	Exhaust. V 90357 (TAM 1061)	29.44mm	90.68mm	3	
	970 Cooper "S" 1964-66 1071 Cooper "S" 1963-64 1275 Cooper "S" 1964-67 AEG 163 Casting.	Inlet. MS 2622	35.57mm	89.50mm	2
	Exhaust. MS 2623	30.97mm	89.60mm	2	
	1275 Cooper "S" 1968-71 12G 940 Casting.	Inlet. MS 2621	35.57mm	90.93mm	2
	Exhaust. MS 2624	29.44mm	90.81mm	2	
	PERFORMANCE VALVES.				
	998cc. Cooper 12G 295 Casting.	Inlet. MS 2636	33.26mm	87.33mm	2
		Exhaust. MS 2638	27.70mm	86.77mm	2
	970/1071/1275 Cooper "S" 12G 940 Casting. 1275cc A+ 1990 on.	Inlet. MS 2621	35.58mm	90.93mm	2
		MS 2620	37.11mm	90.93mm	2
		MS 2615	37.70mm	90.93mm	2
		MS 2624	29.23mm	90.65mm	2
		MS 2619	30.95mm	90.65mm	2
	RIMELO PERFORMANCE VALVES.				
	998/1098cc.	Inlet. MS 2600	27.74mm	87.26mm	2
		Exhaust. MS 2601	25.51mm	87.50mm	2
	998cc. Cooper 12G 295 Casting.	Inlet. MS 2605	31.80mm	87.26mm	2
		Exhaust. MS 2601	25.51mm	87.50mm	2
	970/1071/1275 12G 940 Casting. 1275cc A+ 1990 on.	Inlet. MS 2602	33.36mm	90.93mm	2
		MS 2604	35.62mm	90.93mm	2
		MS 2606	36.63mm	90.93mm	2
		MS 2603	29.27mm	91.15mm	2
		MS 2607	30.80mm	91.15mm	2



1

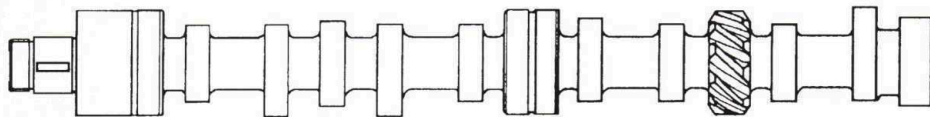


2



3



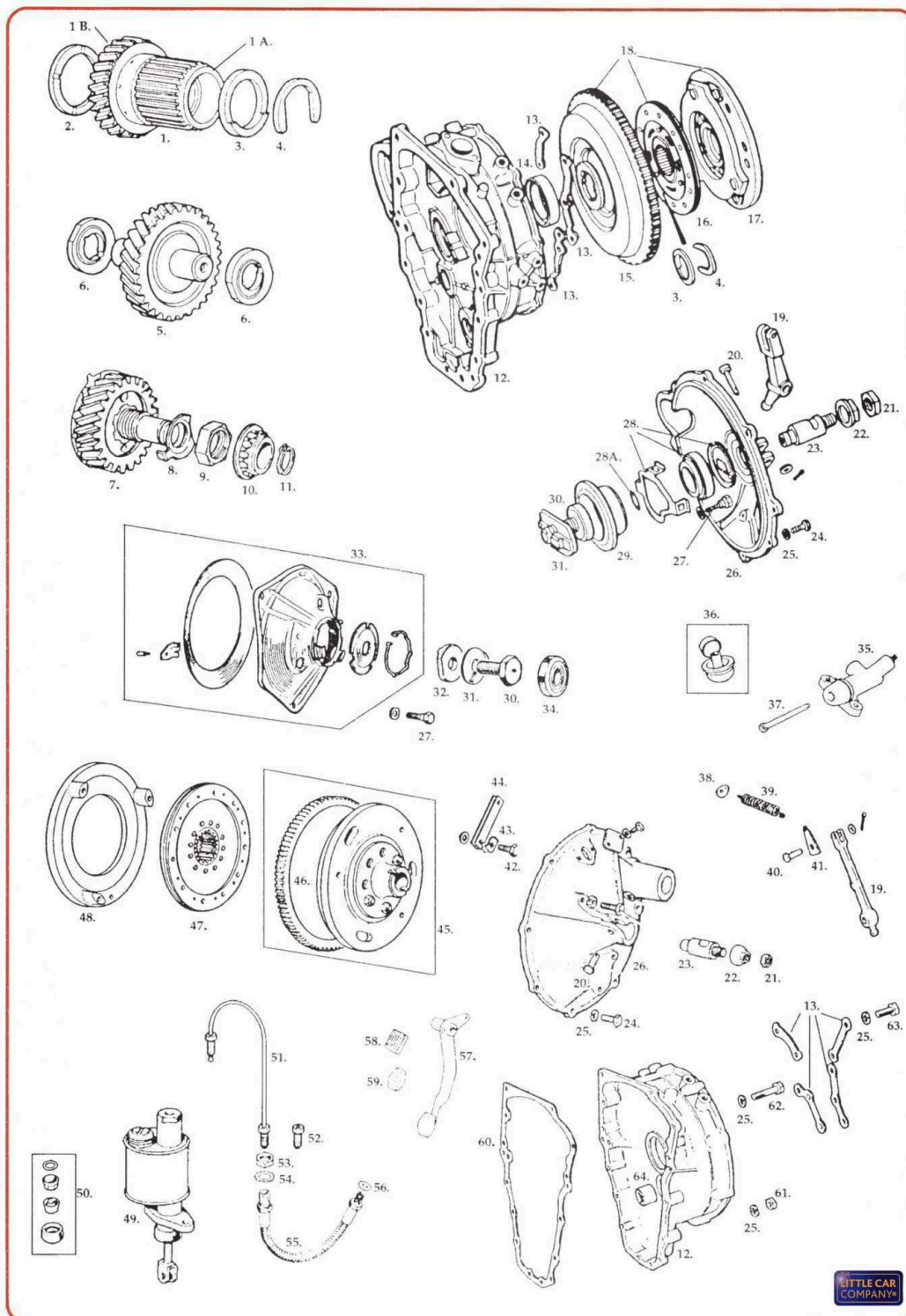


Camshafts

CAMSHAFTS. STANDARD PROFILES								
		850/998/1098 Cooper 998 to 1980. (Alternatives types)		Cooper 997.	998 A+ 1981 on.	970/1071/1275 Cooper "S", MK1/2/3. (Alternatives types)		1275A+ 1990.
Peg Drive.		8G 712	AEA 630	88G 229		AEG 148	AEG 510	
Spider Drive.		12A 1065	12G 726	AEG 567		AEG 523	AEG 542	
Slot Drive.					CAM 6267			CAM 6648 LGC10231 LGC10230
Valve Timing.	In. Ex.	5-45/ 59-29.	5-45/ 40-10.	16-56/ 51-21.	9-41/ 51-21.	5-45/ 49-11.	10-50/ 51-21.	16-56/ 51-21.
Duration.	In. Ex.	230. 230.	230. 252.	252. 252.	230. 240.	230. 252.	240. 252.	252. 268.
Valve Lift.		0.285".	0.318".	0.318".	0.285".	0.318".	0.318".	0.318".
Valve Clearance.		0.012".	0.012".	0.015".	0.012"/ 0.014".	0.012".	0.015".	0.013"/ 0.015".
"WORKS"/S.T. PROFILE PERFORMANCE CAMSHAFTS.								
		Road. (CA 2P) 2A 948	Road/Rally. (CA 3P) C-AEA 731	Rally. (CA 4P) C-AEG 544	Race. (CA 5P) C-AEG 648	Sprint.	Super Sprint.	
Peg Drive.								
Spider Drive.		(CA 2S) C-AEG 567	(CA 3S) C-AEG 800	(CA 4S) C-AEG 643	(CA 5S) C-AEG 529	C-AEG 597	C-AEG 595	
Slot Drive.		(CA 2M)	(CA 3M)	(CA 4M)	(CA 5M)			
Valve Timing.	Inlet. Exhaust.	16-56/ 51-21.	24-64/ 59-29.	34-74/ 69-39.	50-70/ 75-45.	60-80/ 75-45.	60-80/ 85-55.	
Duration.	Inlet. Exhaust.	252. 252.	268. 268.	288. 288.	300. 300.	320. 300.	320. 320.	
Valve Lift.		0.318".	0.320".	0.388".	0.394".	0.394".	0.394".	
Valve Clearance.		0.013".	0.013".	0.015".	0.015".	0.015".	0.015".	

The Little Car Company; tel: +31 (0)73-62 19 705; www.tlcc.nl





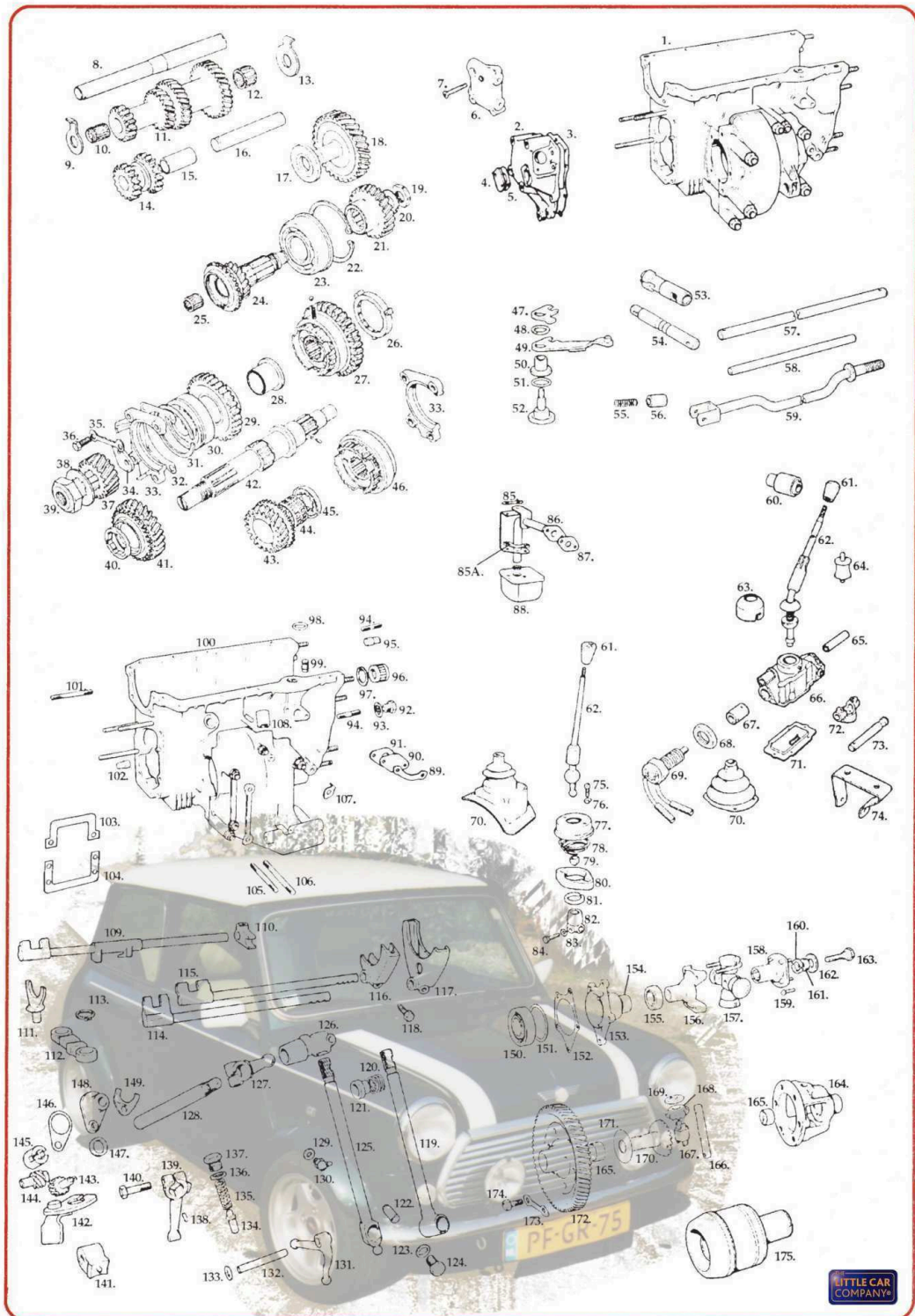
The Little Car Company; tel: +31 (0)73-62 19 705; www.tlcc.nl

No.	PART No.	DESCRIPTION	QTY.	REMARKS.
1	22A 1493	Primary gear,24 teeth	1	850,1000,1100
1	22G 1053	Primary gear,24 teeth	1	Cooper 'S' + GT
1	DAM 8888	Primary gear,29 teeth	1	1000,1100 A+
1	DAM 8890	Primary gear,29 teeth	1	1275 A+
1A	22G 109	Primary gear rear bush	1	All models
1B	DAM 8887	Primary gear front bush	1	850,1000,1100, A+
1B	DAM 8889	Primary gear front bush	1	Cooper 'S' 1275, A+
2	22A 321	Primary thrust washer 0.110"-0.112"	1)
2	22A 322	Primary thrust washer 0.112"-0.114"	1) Alternative) Not
2	22A 323	Primary thrust washer 0.114"-0.116"	1))
2	22A 324	Primary thrust washer 0.116"-0.118"	1) Sizes) 1275
2	22A 450	Primary thrust washer 0.118"-0.120"	1))
2	DAM 6490	Primary thrust washer 0.112"-0.114"	1))
2	DAM 6486	Primary thrust washer 0.114"-0.116"	1) 1275) Alternative
2	DAM 6487	Primary thrust washer 0.116"-0.118"	1))
2	DAM 6488	Primary thrust washer 0.118"-0.120"	1) A+) sizes
2	DAM 6489	Primary thrust washer 0.120"-0.122"	1))
3	88G 549	Primary gear, rear backing ring	1	
4	22A 319	Backing ring 'C' washer	1	
5	22G 943	Idler gear,31 teeth	1	Pre A+ type
5	DAM 2924	Idler gear,37 teeth	1	A+ type
6	22A 1545	Idler thrust washer 0.130"-0.131"	2))
6	22A 1546	Idler thrust washer 0.132"-0.133"	2) Alternative) Pre A+
6	22A 1547	Idler thrust washer 0.134"-0.135"	2))
6	22A 1548	Idler thrust washer 0.136"-0.137"	2) sizes) type
6	22A 1549	Idler thrust washer 0.138"-0.139"	2))
6	DAM 5914	Idler thrust washer 0.130"-0.131"	2))
6	DAM 4822	Idler thrust washer 0.132"-0.133"	2) A+) Alternative
6	DAM 4823	Idler thrust washer 0.134"-0.135"	2))
6	DAM 4824	Idler thrust washer 0.136"-0.137"	2) type) sizes
6	DAM 4825	Idler thrust washer 0.138"-0.139"	2))
64	88G 302	Idler gear bearing,1.004" O D.	1	3 synchro type
64	13H 7848	Idler gear bearing,1.065" O D.	1	4 synchro type
64	AHU 1707	Idler gear bearing,1.375" O D.	1	A+ type, 0.875" I D.
64	DAM 3745	Idler gear bearing,1.375" O D.	1	A+ type, 0.750" I D.
7	22G 849	1st motion drive gear, 24 teeth	1	All synchro type
7	DAM 2925	1st motion drive gear, 29 teeth	1	A+ type
8	DAM 4000	1st motion drive gear lock washer	1	
9	2A 3548	1st motion drive gear nut	1	
10	AAU 8424	1st motion roller bearing complete	1	
11	CCN 110	1st motion roller bearing circlip	1	
	2A 3643	Roller bearing outer ring retainer	1	Not shown
12	22G 1343	Flywheel housing	1	Breather type
12	22G 1837	Flywheel housing	1	A+ type
12	DAM 6259	Flywheel housing	1	A+ breather type
12	TRD 10015	Flywheel housing	1	Cooper type,1990 on
13	YXE 2016	Clutch lock washer kit	1	
14	13H 2934	Clutch oil seal	1	
14	GUG 3019SG	Clutch oil seal	1	Injection type
15	12G 2445	Starter ring gear,Verto flywheel	1	Inertia starter
15	PSF 10003	Starter ring gear,Verto flywheel	1	Pre engaged starter
16	GCP 271AF	Clutch plate	1)
17	HE 3864	Clutch pressure plate	1) Verto type
17	HE 3989	Clutch pressure plate, uprated	1)
18	GCU 90107	Clutch assembly, complete	1	Inertia type
18	GCU 90115AF	Clutch assembly, complete	1	Pre engaged type
18	GCU 90122AF	Clutch assembly, complete) Verto type	1	1275 carburettor type
18	GCU 90121AF	Clutch assembly, complete	1	Injection type
18	GCU 90116AF	Clutch assembly, complete	1	Turbo type
19	DAM 5355	Clutch arm	1)
20	CLZ 628	Clutch arm clevis pin	1)
21	NT 610041	Lock nut	1) Verto type
22	22A 427	Throw out plunger stop nut	1)
23	DAM 5353	Clutch throw out plunger	1)
24	GHF 163	Clutch end cover bolt	8) Verto type
25	GHF 332	Lock washer	8)
26	AHU 1106	Clutch end cover	1)
27	BAU 2319	Cover fixing bolt	3) Verto type
	BAU 2320	Lock washer	3)
28	GRB 239	Clutch release bearing assembly	1)
28A	AAU 2866	'O' ring, rubber	1)

Clutch & Flywheel



No.	PART No.	DESCRIPTION.	QTY.	REMARKS.
29	AHU 1564	Release bearing sleeve	1)Verto type
30	DAM 5922	Flywheel bolt with lock washer	1)
31	DAM 5923	Flywheel key plate	1)Verto type
19	22A 2204	Clutch arm	1)Pre Verto type
20	CLZ 628	Clutch arm clevis pin	1)
21	NT 610041	Lock nut	1)
22	22A 427	Throw out plunger stop nut	1)Pre Verto type
23	22A 180	Clutch throw out plunger	1)
24	GHF 163	Clutch end cover bolt	8)
25	GHF 332	Lock washer	8)Pre Verto type
26	AHU 1106	Clutch end cover	1)
27	2A 3657	Diaphragm bolt	3)
	GHF 323	Lock washer	3)Pre Verto type
30	22A 747	Flywheel bolt	1)
31	22A 1155	Flywheel bolt lock washer	1)
32	88G 508	Flywheel key plate	1)Pre Verto type
33	MS 2225	Diaphragm assembly, Green spot	1	850/998/1100 type
33	MS 2220	Diaphragm assembly, Blue spot	1	1275 S type
33	MS 2219	Diaphragm assembly, Orange spot	1	Rally type
33	MS 2215	Diaphragm assembly, Grey spot	1	Racing type
34	GRB 201	Clutch release bearing	1	Flat type
34	GRB 238	Clutch release bearing	1	Tall type
35	GSY 110	Clutch slave cylinder	1	Pre Verto type
35	GSY 118	Clutch slave cylinder	1	Verto type
36	GRK 4008	Clutch slave cylinder repair kit	1	Pre Verto type
36	GRK 4001	Clutch slave cylinder repair kit	1	Verto type
37	13H 396	Clutch push rod	1	All models
38	2A 3600	Return spring anchor	1)
39	1G 5999	Clutch arm spring	1)
40	CLZ 518	Arm to push rod, clevis pin	1)Pre Verto type
41	2A 3601	Anchor spring bracket	1)
42	2A 3659	Driving strap bolt	3)
43	2A 3512	Driving strap bolt lock washer	3)Pre Verto type
44	2A 3658	Driving strap	6)
	GHF 302	Plain washer	3)
45	12G 424E	Flywheel assembly, refaced	1	Diaphragm type
45	MS 2223E	Lightened flywheel assembly	1	Diaphragm type
45	MS 2216	Extra light steel flywheel assembly	1	Diaphragm type
46	B 107/10 R	Starting ring gear	1	Inertia starter
46	A 107/10 R	Starting ring gear	1	Extra light flywheel
46	PSF 10003	Starting ring gear	1	Pre engaged starter
47	MS 2217	Clutch plate	1)
47	MS 2218	Competition clutch plate	1)Pre Verto type
47	MS 2214	Cerametalic racing clutch plate	1)
48	MS 2222E	Clutch pressure plate, refaced	1)Pre Verto type
48	MS 2221	Lightened pressure plate	1)
49	MS 3275	Clutch master cylinder	1)
50	GRK 3007	Master cylinder repair kit	1)
51	CP 11	Master cylinder pipe to hose, 11"	1	RHD type
51	CP 32	Master cylinder pipe to hose, 32"	1	LHD type
52	TM 606031	Tube nut	2	Male type
53	2K 8686	Hose lock nut	1)
54	WE 600101	Lock washer	1)
55	GVP 1009	Flexible hose to slave cylinder	1)Verto type
	C 5192A	Banjo bolt	1)
	3H 2287	Banjo bolt washer	1)
	3H 550	Banjo to slave cylinder washer	1)Verto type
55	GVP 1020	Flexible hose to slave cylinder	1) Pre)
55	H 0020	Flexible hose to slave cylinder	1) Alternatives
56	233220A	Hose to slave cylinder washer	1)Verto type.
57	2A 5866	Clutch pedal assembly	1	Pre 1976, RHD
57	NAM 3116	Clutch pedal assembly	1	1976 on, RHD
57	NAM 3115	Clutch pedal assembly	1	1976 on, LHD
58	GPR 104A	Clutch pedal rubber pad	1	To 1976
59	GPR 107A	Clutch pedal rubber pad	1	1976-1990
59	SZU 10001	Clutch pedal rubber pad	1	1990 on
60	22A 2237B	Flywheel housing gasket	1)
61	GHF 201	Flywheel housing nut	9)
25	GHF 332	Spring washer	4)
62	GHF 104	Flywheel housing bolt, long	3)
63	GHF 103	Flywheel housing bolt, short	3)



The Little Car Company; tel: +31 (0)73-62 19 705; www.tlcc.nl

No.	PART No.	DESCRIPTION	QTY.	REMARKS.
	R/G 400 / 3.76E	Gearbox assembly complete 3.76:1 FD	1	Remote type
	R/G 400 / 3.44E	Gearbox assembly complete 3.44:1 FD	1	Remote type
	R/G 402 / 3.44E	Gearbox assembly complete 3.44:1 FD	1	Remote type,1275 S/GT
	R/G 405 / 3.76E	Gearbox assembly complete 3.76:1 FD	1	Rod type
	R/G 405 / 3.44E	Gearbox assembly complete 3.44:1 FD	1	Rod type
	R/G 405 / 3.1E	Gearbox assembly complete 3.1:1FD	1	Rod type
	R/G 405 / 2.9E	Gearbox assembly complete 2.9:1 FD	1	Rod type
1	22G 2383	Gearbox casing	1	Rod type
2	DAM 5219	Speedo drive housing	1	
3	22A 541B	Housing gasket	1	
4	2A 3626	Housing end plate	1	
5	2A 3627B	End plate gasket	1	
6	12G 1318	Adaptor plate	1	
7	12G 1319	Adaptor plate screw	1	
	6K 9012	Screw lock washer	1	
8	22A 1371	Layshaft	1	3 synchro type
8	22G 931	Layshaft	1	4 synchro type
8	DAM 3187	Layshaft	1	A+ type
9	22G 856	Laygear thrust washer,0.123"-0.124"	1	
9	22G 857	Laygear thrust washer,0.125"-0.126"	1	
9	22G 858	Laygear thrust washer,0.127"-0.128"	1	
9	22G 859	Laygear thrust washer,0.130"-0.131"	1	
10	88G 396	Laygear needle roller bearing, small	1	
11	22G 1100	Laygear, formally 22G 232	1	Cooper & S, 3 synchro type
11	22G 1040	Laygear, 15.20.25.29 teeth	1	Cooper S & GT,4 synchro
11	22G 927	Laygear, 15.20.25.29 teeth	1	4 synchro type
11	DAM 3169	Laygear, 15.20.25.29 teeth	1	1979 on
11	DAM 3168	Laygear, 15.20.25.29 teeth	1	1275 GT type
11	DAM 4931	Laygear, 15.21.26.30 teeth	1	A+ type
12	CHM 141	Laygear needle roller bearing, large	2	4 synchro type
12	13H 9513	Laygear roller bearing, large	1	A+ type
13	22G 860	Large laygear thrust washer	1	
14	22G 1034	Reverse idler gear	1	4 synchro type
14	22G 1852	Reverse idler gear	1	Rod type
14	TUB 10020	Reverse idler gear	1	Single bush, A+ type
15	22G 825	Reverse gear bush	1	Replaces two bushes
16	DAM 8038	Reverse gear shaft	1	
17	22A 1545	Idler gear thrust washer 0.132"-0.133"	1)
17	22A 1546	Idler gear thrust washer 0.133"-0.134"	1)Pre A+ type
17	22A 1547	Idler gear thrust washer 0.134"-0.135"	1)
18	22G 943	Idler gear	1	Pre A+ type
17	DAM 5914	Idler gear thrust washer 0.130"-0.131"	1)
17	DAM 4822	Idler gear thrust washer 0.132"-0.133"	1)
17	DAM 4823	Idler gear thrust washer 0.134"-0.135"	1) A+ type
17	DAM 4824	Idler gear thrust washer 0.136"-0.137"	1)
17	DAM 4825	Idler gear thrust washer 0.138"-0.139"	1)
18	DAM 2924	Idler gear	1	A+ type
19	2A 3548	1st motion drive gear nut	1	
20	DAM 4000	1st motion drive gear lock washer	1	
21	2A 3545	1st motion drive gear	1	3 synchro type
21	22G 849	1st motion drive gear	1	4 synchro type
21	DAM 2925	1st motion drive gear	1	A+ type
22	22G 850	1st motion bearing circlip	1) Alternative
22	22G 851	1st motion bearing circlip	1) sizes
23	2A 3709	1st motion shaft bearing	1	3 synchro type
23	ADU 7619	1st motion shaft bearing	1	4 synchro type
24	22G 1093	1st motion shaft, 17 teeth	1	4 synchro type
24	22G 1371	1st motion shaft, 18 teeth	1	Cooper S & GT,4 synchro
24	DAM 3092	1st motion shaft, 17 teeth	1	1979 on
24	DAM 3167	1st motion shaft, 18 teeth	1	1275 GT type
24	DAM 4930	1st motion shaft, 17 teeth	1	A+ type
25	88G 409	1st/3rd motion needle roller bearing	1	4 synchro type
25	13H 9513	1st/3rd motion needle roller bearing	1	A+ type
26	22G 2033	Baulk ring	4	
27	DAM 7455	1st/2nd speed synchroniser assembly	1	A+ / 4 synchro type
27	22G 1119	1st speed outer ring	1	Cooper S, 3 synchro type
28	22G 837	1st speed gear journal	1	
44	AAU 1815	1st speed gear needle roller bearing	1	4 synchro type
29	22G 1096	1st speed gear	1	
30	AAU 1365	3rd motion shaft bearing	1	
31	ADU 4992	Bearing spring ring	1	

Gearbox

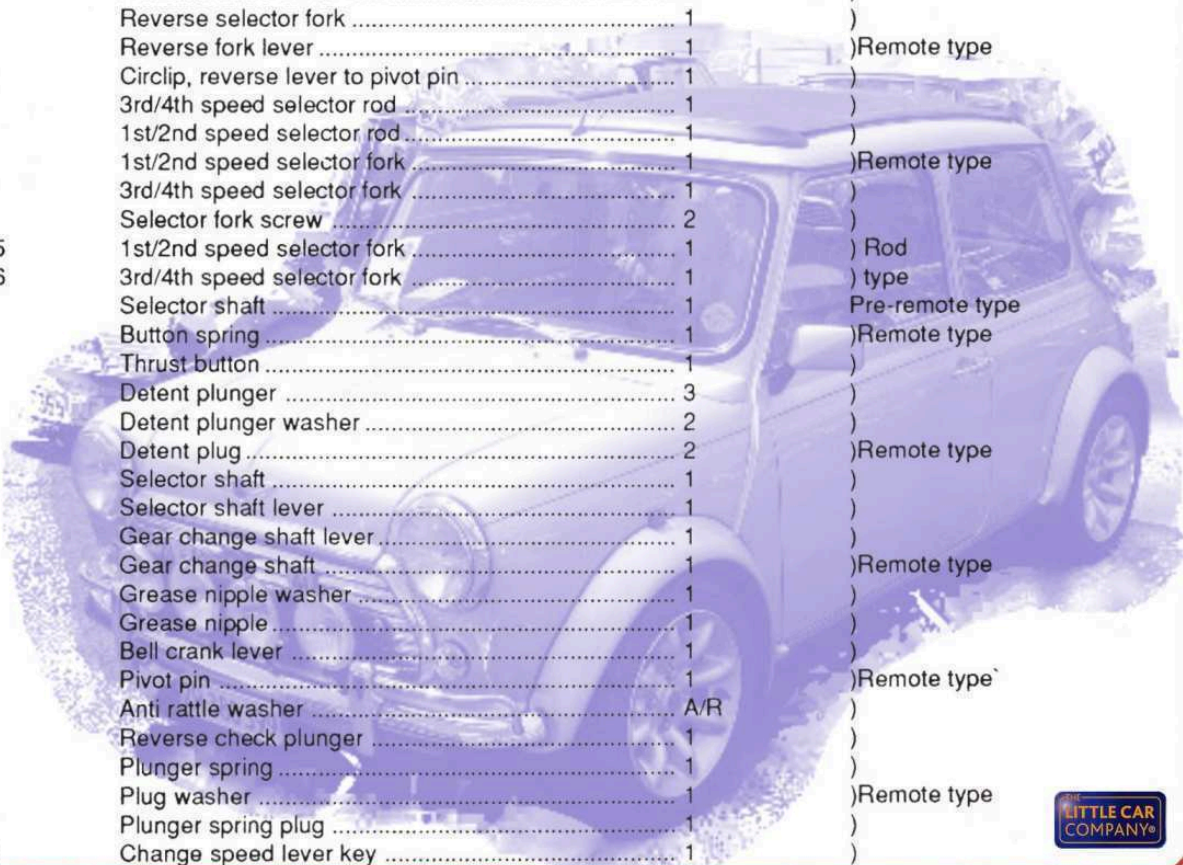
19

No.	PART No.	DESCRIPTION.	QTY.	REMARKS.
32	2A 3714 B	Bearing shim, 0.002"	A/R) Alternative
32	2A 3715 B	Bearing shim, 0.010"	A/R) sizes
33	22A 522	3rd motion bearing retainer	1	Remote type
33	DAM 5996	3rd motion bearing retainer	1	Rod type
34	2A 3581	Reverse gear shaft locating plate	1	
35	DAM 2377	Lock washer	1	
36	SH 505071	Bearing retainer bolt	3/4	
37	22A 399	Final drive pinion, 17 teeth, 3.76:1	1) Pre A+
37	22A 413	Final drive pinion, 18 teeth, 3.44:1	1) type
37	DAM 2679	Final drive pinion, 18 teeth, 3.44:1	1) A+ type
37	DAM 2808	Final drive pinion, 19 teeth, 3.1:1	1)
37	DAM 5927	Final drive pinion, 20 teeth, 2.9:1	1) A+ type
37	TCC 10001	Final drive pinion, 21 teeth, 2.76:1	1)
38	DAM 6140	Pinion nut lock washer	1	
39	22G 48	Pinion retaining nut	1	
39	DAM 7485	Pinion retaining nut	1	A+type
40	22G 839	2nd speed gear thrust washer	1	
41	22G 1094	2nd speed gear	1	4 synchro type
41	DAM 4932	2nd speed gear	1	A+type
44	AAU 1816	2nd speed gear roller bearing	1	
42	22G 833	3rd motion shaft	1	4 synchro type
42	DAM 7484	3rd motion shaft	1	A+type
43	22G 1095	3rd speed gear	1	4 synchro type
43	DAM 4933	3rd speed gear	1	A+type
44	AAU 1816	3rd speed gear needle roller bearing	1	
45	22G 947	3rd speed gear thrust washer	1	
46	DAM 7456	3rd/4th speed synchroniser assembly	1	A+/4 synchro type
47	22G 1847	Bell crank lever, centre	1)
47	22G 1848	Bell crank lever, upper	1)
48	42H 1081	Spacer washer	2)
49	AHU 2292	Reverse gear selector lever	1)Rod/A+ type
50	42H 1077	Pivot bush	1)
51	31B 447	Pivot "O" ring	1)
52	22G 1845	Pivot pin	1)
	PWZ 306	Plain washer	1)Rod/A+ type
	GHF 223	Lock nut	1)
53	22G 1844	Interlock spool	1)
54	22G 1858	Selector shaft	1)
	DAM 8706	Selector shaft "O" ring	1)Rod/A+ type
	AHU 1672	Selector shaft oil seal	1)
	DAM 3022	Oil seal gaiter	1)
	RPS 1416	Rawl pin	1)
55	22G 2083	Detent spring	1)Rod/A+ type
	BLS 110	Detent ball	1)
56	22G 1870	Detent sleeve	1)
	22G 1417	Sleeve O ring	1)
57	22G 1930	Extension rod	1)Rod/A+ type
58	22G 1854	Selector shaft	1)
59	22A 1936	Steady shaft	1)
60	42B 413	Housing lower bush	1)
61	DAM 4440	Gear lever knob	1)Rod/A+ type
61	UKJ 10005	Gear lever knob	1	1275, Studio2, Mini 30
62	22A 1932	Gear lever assembly	1)
63	22G 1434	Gear lever retainer	1)
64	22G 2205	Housing mounting	2)
	GHF 332	Spring washer	4)Rod/A+ type
	GHF 201	Retaining nut	4)Rod/A+ type
65	42H 1199	Rod eye support	1)
66	DAM 3670	Remote control housing	1)
67	42H 1116	Extension rod coupling	1)Rod/A+ type
68	22A 1613	Switch lock nut	1)
69	GAE 191A	Reverse light switch	1)Rod /A+type
70	22A 608	Gear lever gaiter	1)Remote type
70	CZH 4278	Gear lever gaiter	1)
	FJN 10003	Gaiter retainer	1	Rod /A+type
71	DAM 8621	Housing base cover	1)
72	22G 2792	Extension rod eye	1)
73	22G 2306	Rod eye support	1)
74	22G 2026	Housing mounting bracket	1	Rod/A+ type
75	22G 291	Retainer screw	2	Remote type

Gearbox



No.	PART No.	DESCRIPTION.	QTY.	REMARKS.
76	GHF 331	Spring washer	2)
77	22G 290	Gear lever retainer	1)Remote type
78	22G 286	Gear lever spring	1)
79	22G 389	Split nylon bush	1)
80	88G 228	Distance piece	1)Remote type
81	22G 292	Gear lever flange (nylon)	1)
82	22A 267	Primary shaft lever	1)
83	GHF 331	Spring washer	1)Remote type
84	2A 3335	Retaining screw	1)
85	22A 1365	Lock washer, pick up pipe	1)
85A	22A 388	Lock washer, oil strainer	1)
	22A 341	Pick up pipe to strainer "O" ring	1)
86	22G 1150	Oil pick up pipe	1)
87	22A 542B	Oil pipe gasket	1)
88	22A 335	Oil strainer	1)
89	2K 4874	Lock washer	1)
90	2A 3637	Suction pipe flange	1)
91	22A 542B	Gasket	1)
92	DAM 7335	Magnetic drain plug	1)
93	AED 172	Washer for drain plug	1)
94	53K 547	Stud, casing to flywheel housing	3	Short
94	22A 152	Stud, casing to flywheel housing	6	Long
95	22A 97	Dowel to flywheel housing	2)
96	88G 302	Idler needle roller bearing 1" O.D.	1	Early type
96	13H 7848	Idler needle roller bearing 1.0625" O.D ..	1	All synchro type
96	AHU 1707	Idler needle roller bearing 1.375" O.D ..	1	A+ type
97	51K 3565	Needle roller bearing circlip	1	4 synchro type
98	2A 3606	Oil sealing ring, gearbox to block	1)
99	22H 983	Gearbox case to block dowel	1)
100	22G 1338	Gearbox casing	1	Remote type
101	53K 1474	Stud, casing to speedo drive housing	3)
102	22A 13	Dowel to speedo housing	2)
103	2A 3505	Upper diff housing gasket	1)
104	2A 3506	Lower diff housing gasket	1	Remote type
104	22G 1836	Lower diff housing gasket	1	Rod/A+ type
105	53K 1471	Stud, casing to diff housing	5	Short
106	22G 1834	Stud, casing to diff housing	4	Long
107	22A 252	Lock washer	1)
108	2A 3502	Selector rod bush	2	Remote type
109	22A 169	Reverse selector rod	1)
110	88G 213	Reverse selector rod fork	1)
111	22G 827	Reverse selector fork	1)
112	88G 560	Reverse fork lever	1)Remote type
113	CCN 108	Circlip, reverse lever to pivot pin	1)
114	22G 822	3rd/4th speed selector rod	1)
115	22G 821	1st/2nd speed selector rod	1)
116	22G 889	1st/2nd speed selector fork	1)Remote type
117	22A 610	3rd/4th speed selector fork	1)
118	2A 3492	Selector fork screw	2)
116	DAM 7425	1st/2nd speed selector fork	1) Rod
117	DAM 7426	3rd/4th speed selector fork	1) type
119	88G 553	Selector shaft	1	Pre-remote type
120	2A 3390	Button spring	1)Remote type
121	2A 3467	Thrust button	1)
122	22G 411	Detent plunger	3)
123	22A 136	Detent plunger washer	2)
124	22A 387	Detent plug	2)Remote type
125	22A 253	Selector shaft	1)
126	88G 223	Selector shaft lever	1)
127	88G 224	Gear change shaft lever	1)
128	88G 231	Gear change shaft	1)Remote type
129	2K 4973	Grease nipple washer	1)
130	UHN 445	Grease nipple	1)
131	22G 79	Bell crank lever	1)
132	22G 259	Pivot pin	1)Remote type
133	22A 398	Anti rattle washer	A/R)
134	22A 191	Reverse check plunger	1)
135	2A 3647	Plunger spring	1)
136	AED 172	Plug washer	1)Remote type
137	22A 149	Plunger spring plug	1)
138	WKN 404	Change speed lever key	1)

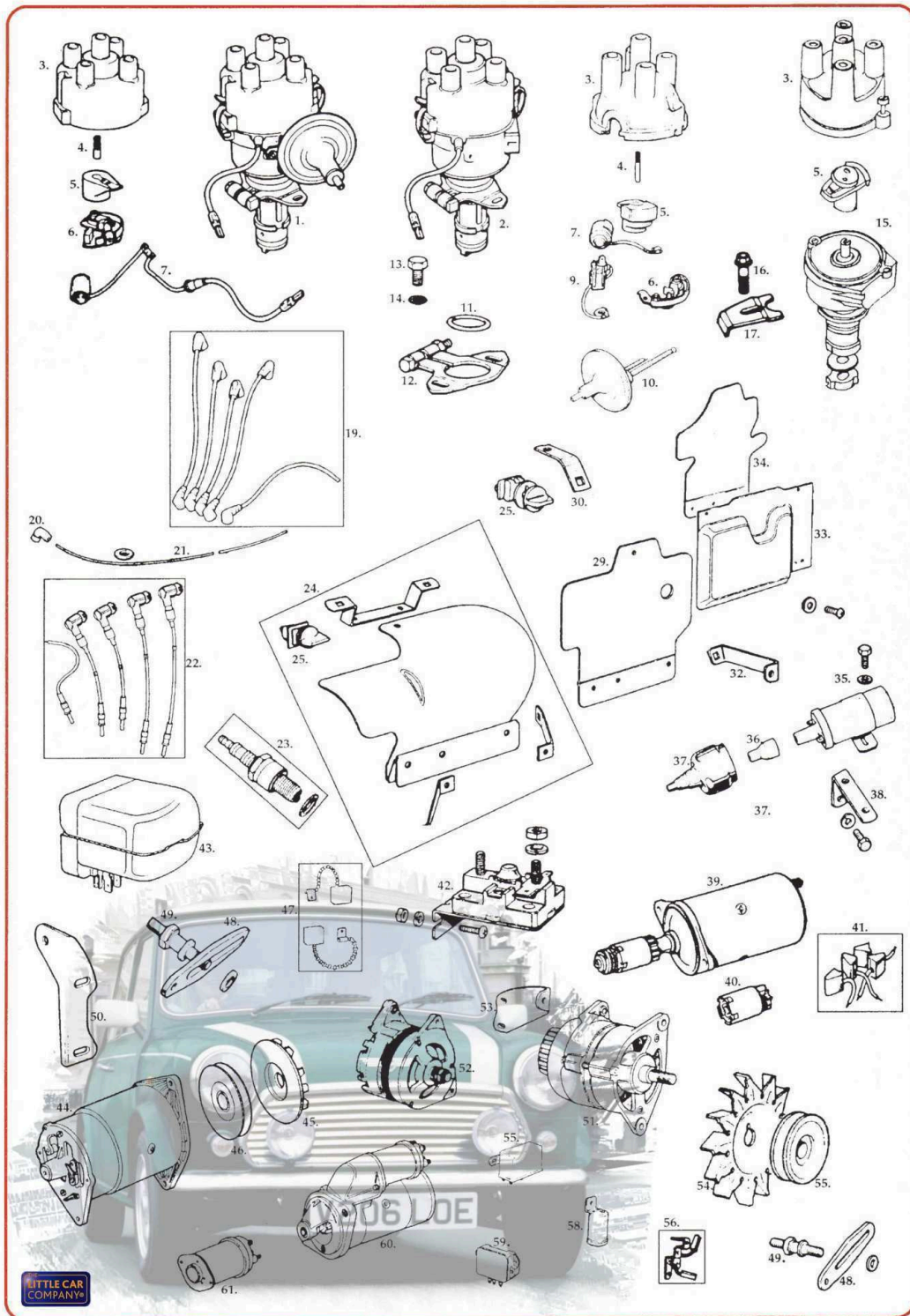


No.	PART No.	DESCRIPTION.	QTY.	REMARKS.
139	88G 222	Change speed lever	1)
140	2A 3335	Change speed lever bolt	1)Remote type
141	22A 1832	Change speed lever seat	1)
142	22A 208	Change speed gate	1)
143	22A 1881	Speedo pinion, 17 teeth	1	Pre 1980, all models
143	DAM 2905	Speedo pinion, 16 teeth	1	3.1 FD,1984 on
143	TXD 10006	Speedo pinion, 18 teeth	1	3.2 FD,Injection
143	TXD 10004	Speedo pinion, 15 teeth	1	2.76 FD
144	2A 3720	Speedo drive gear, 6 teeth,code Blue	1	Pre 1980,all models
144	DAM 6028	Speedo drive gear, 7 teeth,code Red	1	Suit DAM 2905 pinion
144	TXF 10004	Speedo drive gear, 5 teeth	1	Suit TXD 10006 pinion
144	TXF 10001	Speedo drive gear, 7 teeth,code Yellow	1	Suit TXD 10004 pinion
145	2A 3624	Pinion bush, plain	1	
146	2A 3628 B	Gasket, pinion housing	1	
147	13H 577	Shaft oil seal	1	Remote type
148	DAM 8488	Pinion housing	1	
149	22A 862	Spring plate	1	
	GHF 161	Bolt	1	
	GHF 331	Spring washer	1	
150	CHM110	Differential bearing	2	
151	2A 3535 B	Diff shim,0.002"	A/R)
151	DAM 3108	Diff shim,0.006"	A/R) Alternative
151	DAM 3109	Diff shim,0.010"	A/R) sizes
151	DAM 3633	Diff shim,0.020"	A/R)
152	22A 1611	Diff end cover gasket	2	Pre 1990
152	TRK 10004 B	Diff end cover gasket	2	A+, 1990 on
153	22G 419	Diff end cover	2	Hardy Spicer type
153	CHM 85	Diff end cover	2	
154	2A 3538	End cover bush	2	
154	22G 421	End cover bush	2	Hardy Spicer type
155	MS 3308	End cover oil seal	2	
155	MS 3309	End cover oil seal	2	Hardy Spicer type
156	22A 374	Drive flange	2)
157	MS 2034	Drive coupling kit, each	2)Rubber coupling type
	QL 5000	Drive coupling kit, pair	1	QH type couplings
158	22A 1152	Drive flange	2)
159	22A 1139	Drive flange bolt	4)Hardy Spicer type
	GHF 222	Drive flange nut	4)
160	88G 493	Drive flange collet, pair	2)
161	22A 1566	Drive flange sealing ring	2)Hardy Spicer type
162	22A 1201	Plain washer	2)
163	22A 1104	Drive flange retaining bolt	2)Hardy Spicer type
	LWZ 510	Lock washer	2)
164	BTA 145	Diff case assembly	1	Thrust block type
164	DAM 6027	Diff case assembly	1	A+ type
165	ATA 7378	Diff bush	2	
166	22G 2583	Diff pinion centre pin	1	
166	22G 2583 T	Diff pinion centre pin, nitrocarburised	1	
167	BTA 154	Diff thrust block	1	Pre A+ type
168	2A 7015	Diff pinion	2	
168	DAM 6624	Diff pinion	2	A+ type
169	2A 7062	Diff pinion washer	2	
169	DAM 5071	Diff pinion washer,with locating tab	2	A+ type
170	22A 373	Diff output shaft	2	Rubber coupling type
170	22A 1151	Diff output shaft	2	Hardy Spicer type
170	DAM 3114	Diff output shaft	2	Pot joint type
171	BTA 101	Diff output shaft thrust washer	2	
172	22A 401	Final drive wheel, 64 teeth, 3.76:1	1) Pre A+
172	22A 411	Final drive wheel, 62 teeth, 3.44:1	1) type
172	DAM 2677	Final drive wheel, 62 teeth, 3.44:1	1) A+ type
172	DAM 4779	Final drive wheel, 64 teeth, 3.76:1	1)
172	DAM 6327	Final drive wheel, 59 teeth, 3.105:1	1) A+ type
172	DAM 5925	Final drive wheel, 59 teeth, 2.95:1	1)
172	TCB 10004	Final drive wheel, 58 teeth, 2.76:1	1) A+ type
173	ATA 7385	Lock washer	3	
174	ATA 7043	Final drive wheel retaining bolt	6	
175	DAM 667	Offset spherical joint (pot joint)	2) Alternative
175	GCV 1102	Offset spherical joint (pot joint)	2) types
	YXE 2013	Transmission lock washer set	1	Not shown
	AJM 804B	Transmission gasket set	1	Manual type
	AJM 812B	Transmission gasket set	1	Automatic type

Gearbox

25





The Little Car Company; tel: +31 (0)73-62 19 705; www.tlcc.nl

No.	PART No.	DESCRIPTION.	QTY.	REMARKS.
1	BAU 1962	Distributor, pre A plus	1)
1	12G 4180	Distributor, pre A plus, 1275 GT	1) 45D type
2	BAU 1850	Distributor, pre A plus, Cooper "S"	1)
3	GDC 103	Distributor cap	1) 25D type
	GDC 102	Distributor cap, side entry type	1)
	8G 726	Distributor cap rubber cover,	1	Side entry
3	GDC 136	Distributor cap	1	45D/59D type
3	GDC 214	Distributor cap	1	Ducellier type
3	GDC 142	Distributor cap, side entry type	1	45D/59D type
3	GDC 156	Distributor cap, screw fixing	1	Electronic type
4	262703A	Carbon brush	1	
4	37H 8230	Carbon brush	1	
5	GRA 2101	Rotor arm	1	25D type
5	GRA 2114	Rotor arm	1	Lucas 1974 on
5	GRA 2123	Rotor arm	1	Ducellier type
5	GRA 2128	Rotor arm	1	45D/59D type
5	GRA 2143	Rotor arm	1	Electronic type
6	GCS 2101	Contact set	1	25D type, to74
6	GCS 2111	Contact set, 32 oz type spring	1	Cooper "S"
6	GCS 2118	Contact set	1	45D type, 74 to 80
6	GCS 2124	Contact set	1	
6	GCS 2119	Contact set	1	59D type, 80 on
7	GSC 2111	Condenser	1	Pre 1974
7	GSC 2109	Condenser	1	45D/ 59D type
7	GSC 2113	Condenser	1	Ducellier type
9	37H 2981	Bush & lead, low tension	1	
10	37H 3840	Vacuum unit	1	25D type
10	37H 8225	Vacuum unit	1	45D type, to 76
10	37H 8414	Vacuum unit, 45D type, 1976 on	1	59D type, 1980 on
10	37H 8379	Vacuum unit, 1275 GT	1	45D type
11	513682 A	"O" ring	1) Pre
12	501134	Distributor clamp	1) A
13	GHF 117	Clamp bolt	2) plus
14	GHF 321	Shakeproof washer	2) type
15	AUU 1536	Distributor	1	Cooper carb type
15	NJC 10034	Distributor	1	Cooper injection
15	NJC 10038	Distributor	1	Open loop catalyst
16	CAM 6105	Clamp bolt	1) A plus,
17	613857 A	Distributor clamp	1) to 85
16	TAM 1706	Clamp bolt	1) A plus,
17	TAM 1671	Distributor clamp	1) 85 on
19	GHT 184	Ignition lead set	1	1968 to 81
19	GHT 241	Ignition lead set	1	1981 on
20	12B 2062	Vacuum pipe connector	1	Angled type
20	12B 2095	Vacuum pipe connector	1	Straight type
21	37H 4229M	Plastic vacuum pipe	1	Meter length
22	GHT 267	Ignition lead set	1	Cooper injection
23	GSP 4362	Spark plug	4	Equiv Champion N9Y
23	GSP 4382	Spark plug	4	Equiv Champion N12Y
23	GSP 4352	Spark plug	4	Equiv Champion N6Y
23	GSP 4482	Spark plug	4	90on suppressed plug
23	GSP 4462	Spark plug	4	Cooper injection
24	GDS 101A	Ignition shield kit	1	Clubman
24	BHM 1675	Ignition shield kit	1	Mini
25	13H 6461	Turn button	3	
29	GDS 102A	Ignition shield	1	Saloon
30	NJU 10002	Top support bracket	2) Mini
32	12G 4142	Lower support bracket	1) Special
33	BHM 773	Ignition shield	1	Van
34	12A 2299	Ignition shield	1	Mini Special
35	GCL 110	Ignition coil	1	1959 to 69
35	GCL 132	Ignition coil, cold start type	1	1984 to 90
35	GCL 143	Ignition coil, electronic type	1	Cooper 89 on
35	GCL 132	Ignition coil, ballast resistor type	1	1990 on
35	MS 2237	Lucas sports ignition coil	1	Not electronic type
36	12H 3244	Coil sealing cover	1	
37	8G 727	Coil sealing cover	1	Full cover
38	12G 2994	Coil support bracket	1	
39	GXE 4404E	Starter motor	1	1959 to 85, 35J type
40	BAU 2074	Starter Bendix gear, 9 teeth	1	

Ignition

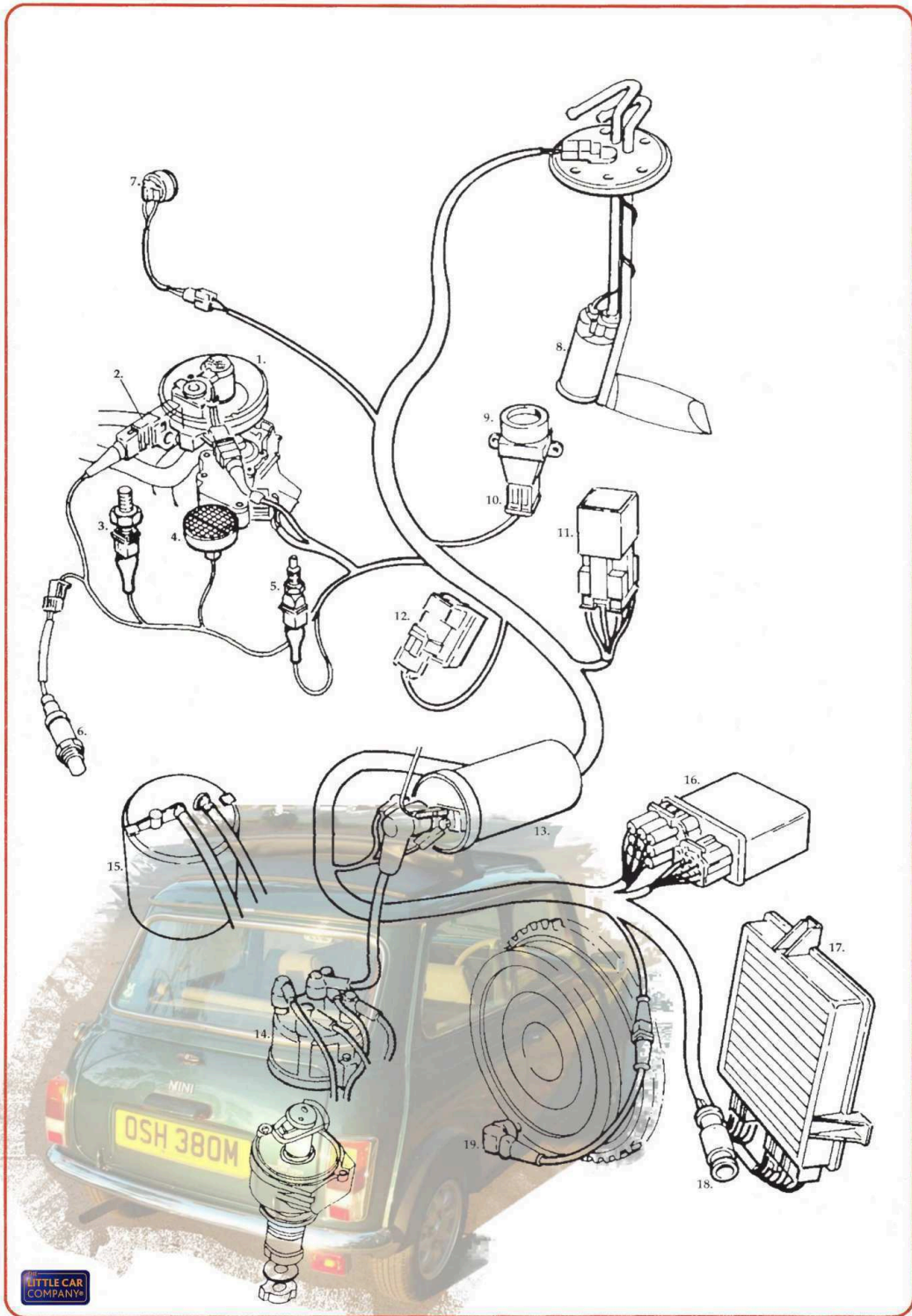


No.	PART No.	DESCRIPTION.	QTY.	REMARKS.
41	GSB 105	Brush kit, 35J type	1	Rear fitment type
41	GSB 102	Brush kit, 35G type	1	Side fitment type
42	13H 5952	Starter solenoid	1	
43	GEU 6603	Control box & regulator	1)1959
44	GXE 3101	Dynamo, C40 type	1) to 74,
45	17D 11	Dynamo fan	1	
46	12G 1054	Dynamo pulley	1	
47	GGB 102	Dynamo brush set	1	C40 type
48	12G 2627	Adjustment bracket	1	
49	12G 289	Adjustment bracket pillar	1	
50	12A 526	Dynamo rear support bracket	1	
51	GXE 2211E	Alternator, 16/17 ACR type	1	1970 to 80
51	GXE 2257E	Alternator, A115/45 amp type	1	1980 to 10/85
52	GXE 2276E	Alternator, A127/45 amp type	1	Nov. 85 on
52	GXE 2297E	Alternator, A127/55 amp type	1	1989 on
53	12G 1053	Alternator rear support bracket	1	Pre A plus
53	CAM 4853	Alternator rear support bracket	1	A plus type
54	C 37222A	Alternator fan, use with 12G 1054	1)16/17 ACR
54	AAU 3956A	Alternator fan, use with BAU 1461	1) types
54	AUU 1097	Alternator fan	1	1985 on
55	12G 1054	Alternator pulley, 2.75" dia.	1)16/17 ACR
55	BAU 1461A	Alternator pulley, 2.5" dia.	1) types
55	ADU 7778	Alternator pulley	1	1985 on
56	GGB 504	Brush set	1	ACR alternators
56	GGB 512	Brush set	1	To suit GXE 2257/76
56	GGB 517	Brush set	1	To suit GXE 2297
57	142169 A	Alternator relay	1) AC
58	BMK 1092A	Control box warning light	1) type
59	GEU 6609	Control box, 4TR type	1) alternators
60	GXE 4527E	Starter motor, pre engaged type, M79	1	Nov. 85 on
56	GSB 134	Brush kit	1) M79 type
61	NAF 10004	Starter solenoid	1) starter

Ignition



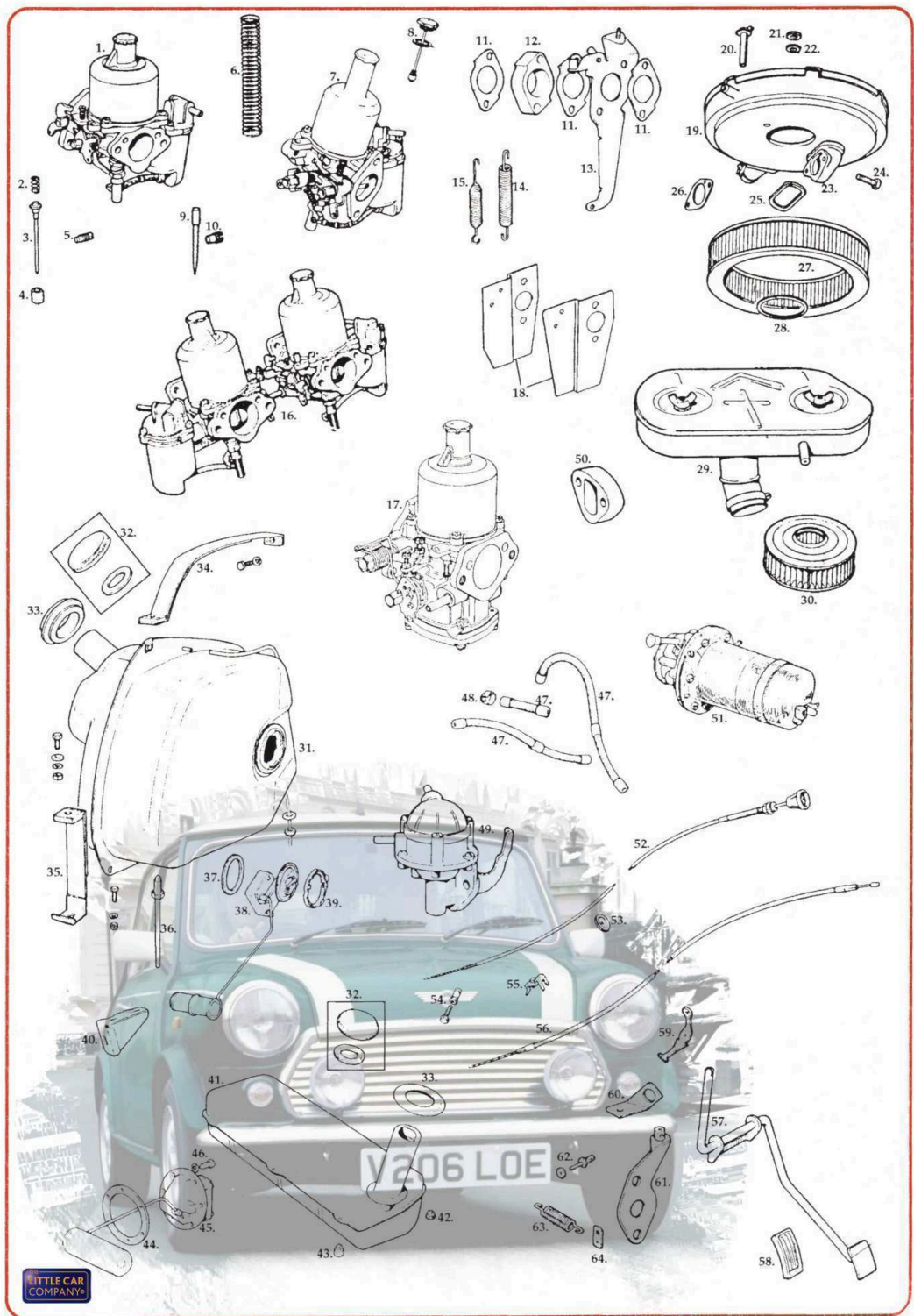
The Little Car Company; tel: +31 (0)73-62 19 705; www.tlcc.nl



The Little Car Company; tel: +31 (0)73-62 19 705; www.tlcc.nl

No.	PART No.	DESCRIPTION.	QTY.	REMARKS.	
1	MLB 10028	Throttle body assembly	1		
	LZV 1101 B	Packing piece, throttle body to inlet	1		
	FN 108041	Nut, throttle body to inlet manifold	1		
	WJW 10030	Fuel carrier pipe assembly	1		
	WJU 10144	Rail bracket	1		
	MHU 10059	Abutment bracket	1		
2	LKB 10412	Inlet manifold	1		
	MMJ 10003	Throttle body hydraulic assembly kit	1		
3	NNK 10001	Intake air temperature sensor	1		
4	MED 10003	Inlet manifold PTC heater	1		
	CR 110551	Heater retaining clip	1		
5	PHP 10027	Hose, sensor to PTC heater	1		
	GTR 185	Coolant temperature sensor	1		
6	MHK 10004	Lambda (oxygen) sensor	1	When fitted	
7	NNS 10001	Throttle pedal switch	1		
8	WFX 10045	Fuel pump	1		
9	WLV 10007	Fuel cut off valve	1		
10	WQT 10001	Inertia switch	1		
11	YWB 10012	Lambda (oxygen) sensor relay	1	When fitted	
12	AUU 1503	Purge valve	1		
	GFE 7020	In line fuel filter	1		
	WLV 10009	In line, 2 way valve	1		
	JZV 1222	Fuel trap	1		
	MLH 10026	Vacuum pipe, fuel trap to ECU	1		
	MLH 10022	Vacuum pipe, fuel trap to inlet manifold	1		
	13	GCL 143	Ignition coil	1	
	14	NJC 10034	Distributor	1	
	15	WTB 100770	Charcoal cannister	1	When fitted
	16	YWB 10022	Relay module	1	
	17	MNE 101040	Electronic control unit, (ECU)	1	
		MAU 10053	ECU mounting bracket	1	
18	YPH 10015	Diagnostic unit cover	1		
19	ADU 7340	Crankshaft sensor	1		
	NSU 10010	Crankshaft sensor harness clip bracket	1		
	PHB 10081	Air filter assembly	1		
	PHN 10011	Seal, air filter to throttle body	1		
	ADU 6109	Air filter thermal sensor	1		
	UAM 1828	Sensor seal	1		
	PHP 10043	Vacuum pipe, air filter to inlet manifold	1		
	LLN 10009	Depression control valve assembly	1		
	GFE 1143	Air filter element	1) Alternative	
	E 9172	K & N air filter element	1) Types	



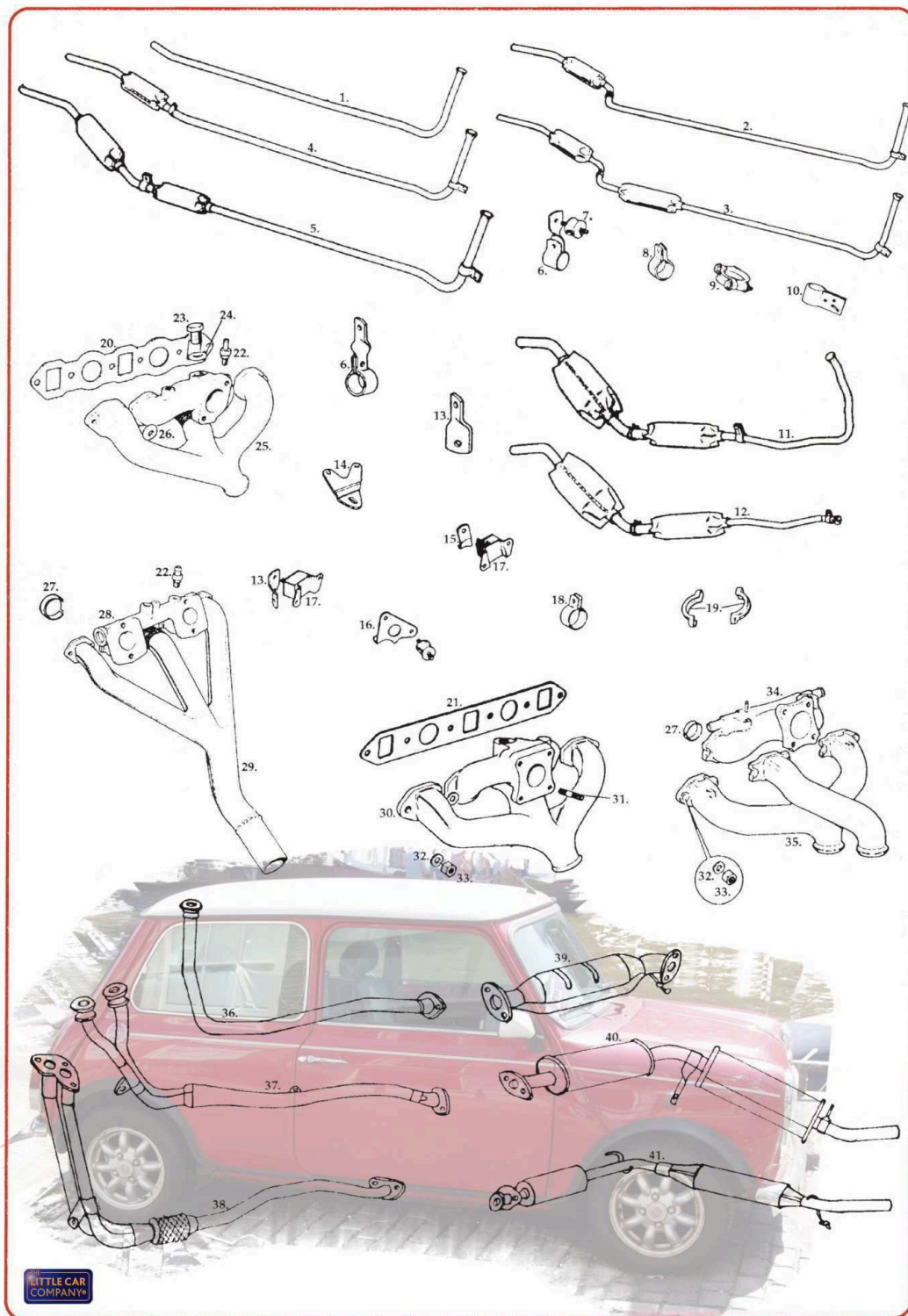


The Little Car Company; tel: +31 (0)73-62 19 705; www.tlcc.nl

No.	PART No.	DESCRIPTION.	QTY.	REMARKS.
1	MS 2902	S U carburettor,HS4 1.5",LHIC	1	
2	AUD 3306	Needle locating spring	1) Spring
3	MS 2943	Jet needle	1) loaded
4	JZX 1039	Needle guide	1) type
5	AUD 4251	Needle retaining screw	1)
6	MS 2944	Piston spring,red	1	HS type
6	MS 2945	Piston spring,blue	1	HS type
7	MS 2901	S U carburettor,HS2 1.25",RHIC	1	
8	AUC 8103A	Damper	1	HS2 type
8	CUD 4103A	Damper	1	HS4 type
9	MS 2942	Jet needle	1) Fixed
10	AUD 4252	Needle retaining screw	1) type
11	AUD 2219	Carburettor to manifold gasket.....	A/R	HS4 type
11	AUC 4275	Carburettor to manifold gasket.....	A/R	HS2 type
12	12H 1389	Spacer	1	HS4 type
	12A 6	Spacer	1	HS2 type
	12B 561B	Spacer	1	HIF type
13	12G 766	Abutment bracket	1	HS4 type
14	21A839	Throttle return spring	1	
15	AEC 2075	Throttle return spring	3	Twin carburetors
16	MS 2910	Twin S U carburetors,HS2 1.25"	1	
16	MS 2911	Twin S U carburetors,HS4 1.5"	1	
17	MS 2906	S U carburettor,HIF38 1.5"	1	Mini Sprite, 91 on
17	MS 2908	S U carburettor,HIF44 1.75"	1	Mayfair/Cooper 91on
	CAM 4943	Abutment bracket	1	HIF type
	TAM 1068	Spacer,0.265', thickness	1	HIF44 type
	MAX 10001	Spacer,0.430', thickness	1	HIF44 type
	MAX 10002	Spacer,0.435', thickness	1	HIF38 type
	88G 429B	Gasket	A/R	HIF & HS6 types
18	MS 2935	L H and R H heat shields	1	Twin HS2 type
19	12G 4298	Air cleaner assembly	1	Single HS4 type
19	TAM 2138	Air cleaner assembly	1	Single HS4,89 on
20	12G 1811	Wing nut	2	Single HS4 type
20	12G 2705	Wing nut	2	Twin HS2 type
21	12A 1436	Washer, steel	2	
22	12A 1437	Washer, fibre	2	
23	12G 1812	Carburettor elbow	1	HS4 type
23	CAM 4694	Carburettor elbow	1	HIF44 type
24	53K 225	Retaining bolt	2	
25	12A 1433	Rubber seal, elbow to filter	A/R	HS & HIF types
26	AUC 1282	Gasket, elbow to carburettor	1	HS4 type
26	AUC 1281	Gasket, elbow to carburettor	1	HS2 type
26	12H 4271B	Gasket, elbow to carburettor	1	HIF44 type
27	GFE 1008	Air filter element	1)
27	E 2601	K & N air filter element	1) HS4 type
28	12A 1433	Seal, filter to elbow	1)
29	FZX 3052	Air cleaner assembly	1) Twin
30	GFE 1038	Air filter element	2) HS2
30	E 9001	K & N air filter element	2) type
31	ARP 1044	Fuel tank, 5.5 gallons	1	
31	ARP 1043	Fuel tank, 7.5 gallons	1	
31	WFE 10093	Fuel tank, 7.5 gallons, restricted neck	1	Cooper, lead free
31	WFE 10420	Fuel tank, 7.5 gallons, restricted neck	1	Catalyst 1275,92 on
31	WFE 10401	Fuel tank, 7.5 gallons, restricted neck	1	Injection type
	GWV 202M	Fuel tank vent pipe,1042mm	1	
32	WLD 100350	Filler cap & seal, chrome	1	
32	WLD 10027	Filler cap & seal, black	1	
	GSS 154A	Filler cap, locking type	1	
33	14A 7057	Filler neck grommet	1	
34	2A 2226	Upper strap, long	1	
	SH 605051	Retaining bolt	2) Upper &
	GHF 332	Spring washer	2) lower straps
35	2A 2331	Lower strap, short	1	
	SH 605051	Retaining bolt	1) Upper to
	GHF 332	Spring washer	1) lower
	GHF 201	Retaining nut	1) straps
36	21A 1401	Drain plug	1	
37	ARA 1502	Sealing ring	1	
38	XNB 10007	Sender unit	1	Cooper & SE type
38	XNB 100380	Sender unit	1) Carburettor &
37	EDP 9317	Sealing ring	1) Injection, 92 on
39	ARA 1501	Locking ring	1	
40	21A 2181	Fuel tank retaining bracket	1	
41	4011008	Fuel tank	1) All models,
42	21A 305	Tank retaining nut, small type ,nylon	3)
	AB 614061	Retaining screw	3) estate,
43	21A 304	Tank retaining nut, large type, nylon	3)
	AB 614101	Retaining screw	3) van &
44	2H 1082B	Sealing ring	1)
45	AAU 8340	Sender unit	1) pick-up

<u>No.</u>	<u>PART No.</u>	<u>DESCRIPTION.</u>	<u>QTY.</u>	<u>REMARKS.</u>
46	53K 165	Sender unit fixing screw	6) Estate, van &) pick-up
	2A 2088	Fixing screw washer	6	
47	BRT 2805	Flexible fuel hose,tank to pipe	1	
47	21A 1324	Flexible fuel hose,pipe to pump	1	
47	21A 208	Flexible fuel hose,pump to pipe	1	
47	BRT 2416	Flexible fuel hose,pipe to carburettor.....	1	
48	ACA 5103	Hose clip	A/R	
49	MS 2061	Fuel pump, mechanical	1	
49	AZX 1818	Fuel pump, mechanical	1	
49	AZX 1817	Fuel pump, mechanical	1	
49	WND 10005	Fuel pump, mechanical	1	
50	AUB 5012	Gasket & distance piece	1	New Cooper Catalyst type,90 on
50	12G 4520B	Gasket & distance piece	1	To suit MS 2061
50	12G 3494B	Gasket only	2	To suit AZX 1817/8 All types
51	MS 2060	Fuel pump, electrical	1	
51	AUF 214	Fuel pump, electrical	1	Original SU type
	21A 632	Mounting clamp	1) Electric
	ACB 9252	Rubber packing strap	1) fuel
	21A 750	Mounting bracket	1) pump
52	21A 1202	Choke cable	1	MK1/2, single carb
52	21A 1204	Choke cable	1	Twin carb type
52	SBF 10027	Choke cable	1	
52	SBF 10031	Choke cable	1	
53	CAM 5969	Cable grommet	1	1275 ,1990 on
54	AUE 34	Cable clamp pin & screw	1	
55	13H 3472	Cable retaining clip	1	
56	MS 0359	Anti friction throttle cable	1	
56	AHT 85	ST type throttle cable	1	
56	SBB 10099	Throttle cable	1	
57	NAM 3108	Throttle pedal assembly	1	Cooper HIF types R H D
57	NAM 3107	Throttle pedal assembly	1	L H D
58	DCP 3214	Throttle pedal pad	1	
59	GHF 1266	Throttle cable strap	1	
60	21A 192	Throttle cable bracket	1	
61	12A 48	Abutment bracket	1	HS2 type
62	ACC 5062	Throttle cable lever pin	1	
	GHF 300	Plain washer	1	
	GHF 200	Retaining nut	1	
	ACA 5256	Anti rattle washer	1	
63	1E 5537	Throttle return spring	1	
64	12A 4	Return spring anchor tag	1	
	CSK 51	HS2 service kit	1	
	CSK 52	HS4 service kit	1	
	CSK 54	HS6 service kit	1	
	CSK 75	HIF 44 service kit	1	
	CSK 78	HIF 38 service kit	1	
	AUD 9141	Main jet RHIC .090"	1	HS2/HS4
	AUD 9142	Main jet LHIC .090"	1	HS2/HS4
	AUD 9148	Main jet RHIC .100"	1	HS6
	AUD 9149	Main jet LHIC .100"	1	HS6
	WZX 1178	Throttle spindle	1	HS4/HS6
	WZX 1310	Throttle spindle	1	HS2
	WZX 1126	Throttle spindle	1	HIF 38
	WZX 1128	Throttle spindle	1	HIF 44
	WZX 1320	Throttle disc	1	HS2
	WZX 1324	Throttle disc	1	HS4
	WZX 1121	Throttle disc	1	HS6
	WZX 1387	Throttle disc	1	HIF 38
	WZX 1183	Throttle disc	1	HIF 44
	WZX 1100	Needle valve	1	HS types
	WZX 1099	Needle valve	1	HIF types





The Little Car Company; tel: +31 (0)73-62 19 705; www.tlcc.nl

No.	PART No.	DESCRIPTION.	QTY.	REMARKS.
1	S 2330	Front pipe, single box system	1)
2	GEX 106	Single box system	1) Saloon
3	GEX 189	Twin box system	1)
4	GEX 107	Single box system	1	1967 on,)Estate,
4	GEX 116	Single box system	1	to 1967,)van &
5	GEX 155	Twin box system	1)pick-up
	GEX 9551	Exhaust fitting kit	1	Except Cooper/"S"/GT
6	GEX 7084	Rear support bracket	1	Up to 1989
7	GEX 7251	Rear rubber mounting	1	Cooper & "S", qty 2
8	GEX 7052	Centre support clip	1	
9	GEX 7046	Manifold clamp	1	Cooper 90 on, qty 2
10	GEX 7053	Front support clip	1	
11	GEX 121	Twin box system	1	1275 GT
12	MS 2766	Twin box system	1)Cooper/"S",
	MS 2765	Single box system	1)63-71
	ST 400	Superflow twin box system	1	Suit 3 branch & LCB
13	GEX 7082	Centre support strap	1	Saloon
13	GEX 7273	Centre support strap	1	Estate, van & pick-up
14	GEX 7526	Mounting bracket to transmission case	1	Pre rod change
15	GEX 7248	Centre support bracket	1) Cooper "S"/GT
16	GEX 7249	Rear support bracket	1)
17	GEX 7081	Centre rubber mounting	1	
18	GEX 7054	Front pipe to manifold clamp	1	Cooper/"S", 63-71
19	GEX 7304	Manifold clamp	1	1275 GT
20	GEG 601	Exhaust manifold gasket	1	
21	MS 2643	Large port exhaust manifold gasket	1	Modified heads
22	13H 6289	Servo non return valve	1	
23	ADP 210	Manifold blanking plug	1	
24	1B 3664	Blanking plug washer	1	
25	12A 1097	Inlet & exhaust manifold	1)Single HS2 type
	CHS 2613	Carburettor stud	2)
	GHF 323	Shakeproof washer	2)
	GHF 261	Retaining nut	2)
25	12G 3279	Inlet & exhaust manifold	1)Single HS4 type
	CHS 2514	Carburettor stud	2)
	GHF 322	Shakeproof washer	2)
	GHF 201	Retaining nut	2)
26	12A 1211	Manifold clamping washer	4	
27	12G 297	Manifold locating ring	2	When fitted
28	4010	Inlet manifold	1)Twin HS2 type
	CHS 2613	Carburettor stud	4)
	GHF 323	Shakeproof washer	4)
	GHF 261	Retaining nut	4)
28	4011	Inlet manifold	1)Twin HS4 type
	CHS 2514	Carburettor stud	4)
	GHF 322	Shakeproof washer	4)
	GHF 201	Retaining nut	4)
28	4013	Inlet manifold	1)Twin HS6/HIF type
	CHS 2514	Carburettor stud	8)
	GHF 322	Shakeproof washer	8)
	GHF 201	Retaining nut	8)
29	PPM 7	Exhaust manifold, 3 branch	1	Cooper & "S"
	PPM 1	Exhaust manifold, long centre branch	1	LCB, fast road use
30	12G 3538	Inlet & exhaust manifold	1)Single HIF38 type
31	CHS 2514	Carburettor stud	4)
	GHF 322	Shakeproof washer	4)
	GHF 201	Retaining nut	4)
32	GHF 301	Plain washer	6	
33	GHF 261	Manifold nut, (brass)	6)Alternatives
33	NH 605040	Manifold nut, (steel)	6)
34	3000	Inlet manifold	1)Single HS4/6/HIF
35	CAM 6745	Exhaust manifold	1)Cooper carb/ Injection type
	LKK 10025	Manifold hot box	1) Cooper
	TD 108061A	Manifold stud to front pipe	3) injection
	GEX 7779	Manifold gasket to front pipe	1)
36	GEX 12052	Single type down pipe	1	HIF38 type, 1992 on
37	GEX 12017	Twin type down pipe	1	Cooper carb type
38	GEX 12043	Twin type down pipe	1	Cooper injection
39	GEX 8025	Catalyst assembly	1	Cooper carb type



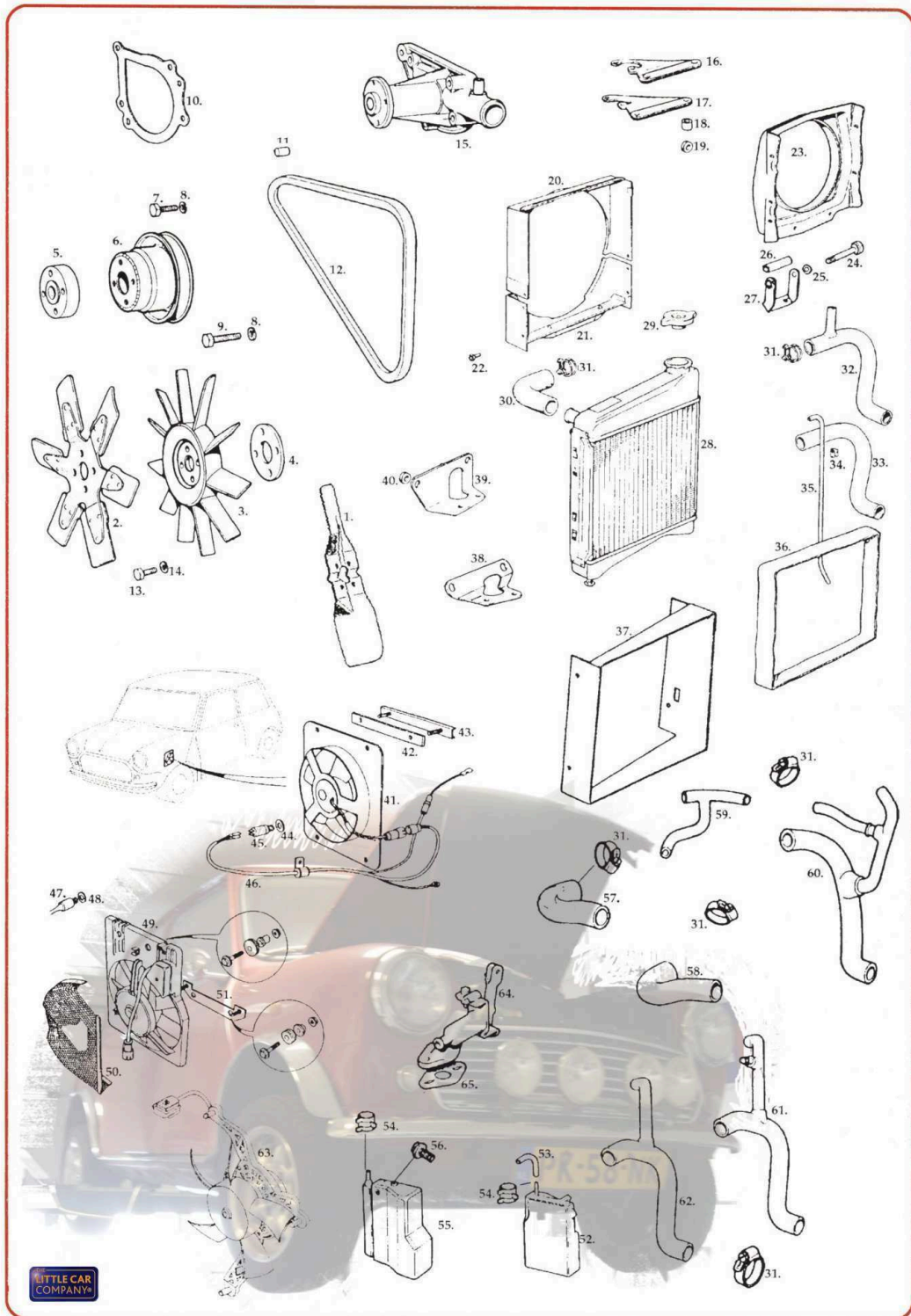
<u>No.</u>	<u>PART No.</u>	<u>DESCRIPTION.</u>	<u>QTY.</u>	<u>REMARKS.</u>
39	GEX 8026	Catalyst assembly	1	Cooper injection
	GEX 7761	Catalyst gasket	2	When fitted
40	GEX 33479	Rear twin box system, to 8/90	1)Cooper carb type
40	GEX 33515	Rear twin box system, 8/90 on	1)
41	GEX 33516	Rear twin box system, 5/92 on	1	Cooper injection
	GEX 7661	Flexible rubber mounting	2	May 1992 on
41	ST 400C	Superflow rear twin box system, with stainless tail pipe	1	Cooper injection

Exhausts



39

The Little Car Company; tel: +31 (0)73-62 19 705; www.tlcc.nl



The Little Car Company; tel: +31 (0)73-62 19 705; www.tlcc.nl

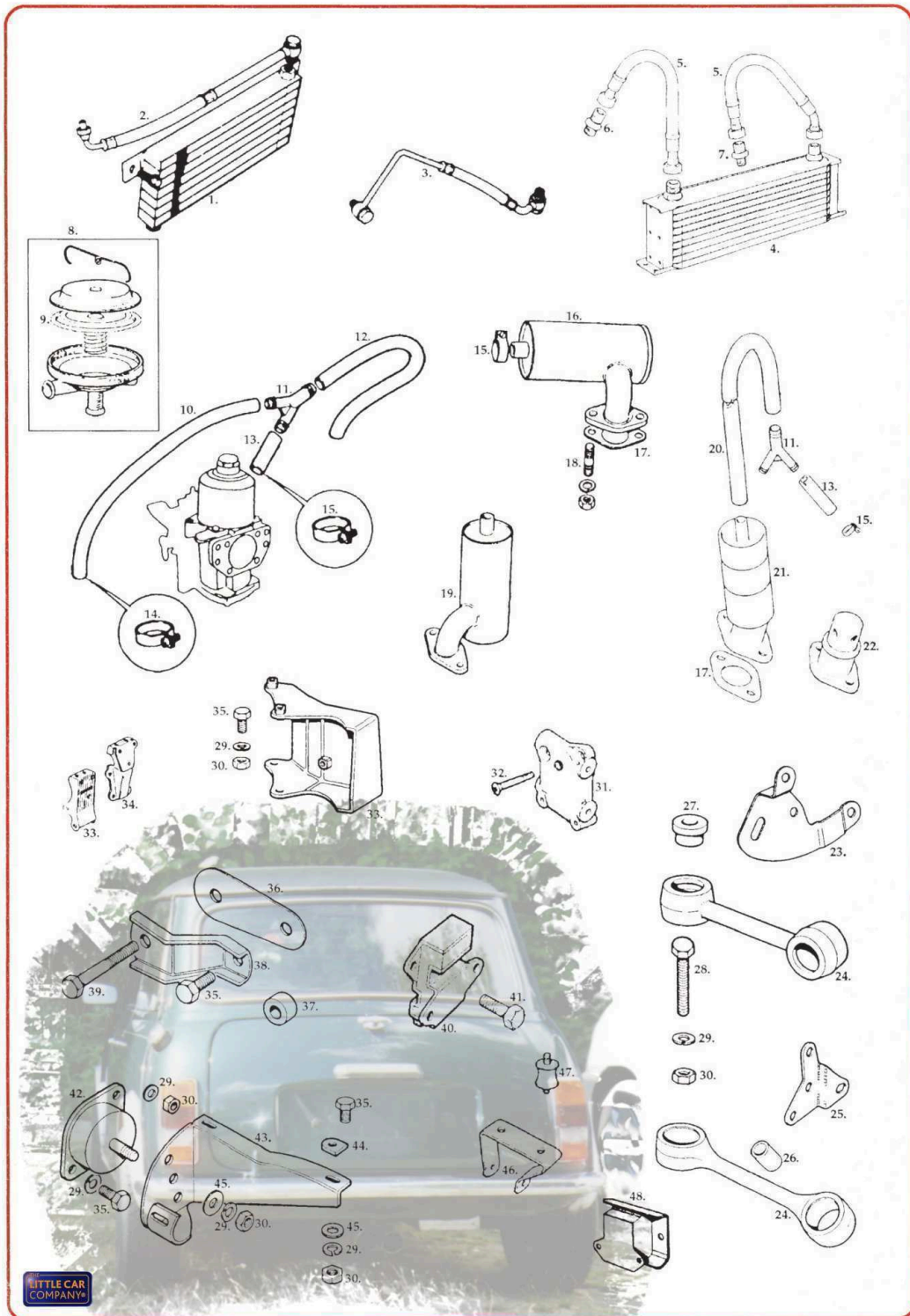
No.	PART No.	DESCRIPTION	QTY	REMARKS
1	2A 997	2 Blade fan, steel	1	
	2A 997 x 2	4 Blade fan, steel	1	
2	2A 998	6 Blade fan, steel	1	Export type
3	12G 1305	Multi blade fan, plastic	1	1959 to 68, & 91 on
3	12G 2129	Multi blade fan, plastic	1	Wide blade type
4	12A 312	Distance piece	A/R	
5	12G 2452	Distance piece, large type	1	
6	CAM 6239	Water pump pulley, 3.875" dia.	1	To 1985
6	CAM 116	Water pump pulley, 4.265" dia.	1	
6	CAM 6408	Water pump pulley, large 4.725" dia.	1	1985 on
6	12A 667	Water pump pulley, cast type,4.57" dia.	1	Cooper S
7	SH 605101	Water pump bolt, short	2	
8	GHF 332	Spring washer	4	
9	HZS 515	Water pump bolt, long	2	
10	88G 215B	Water pump gasket	1	
11	12G 2077	Water pump dowel	2	
12	GCB 10813	Fan belt, use with CAM 6239	1	To 1985
12	GCB 10838	Fan belt, use with CAM 6408/12A 667	1	Dynamo or alternator
12	GCB 10825	Fan belt, use with CAM 6408	1	A 127 type alternator
13	GHF 101	Fan to pump bolt	4	
14	GHF 331	Spring washer	4	
15	GWP 132	Water pump	1	Small impeller type
15	GWP 134	Water pump	1)Large)
15	CP 3709	Water pump	1)impeller type)Alternatives
15	GWP 187	Water pump	1	1300 A plus type
16	CAM 4621	Top radiator bracket	1	1275 GT
17	CAM 4622	Top radiator bracket	1	Cooper "S"
	PCU 10135	Top radiator bracket	1	New Cooper
18	CAM 4415	Sleeve for grommet	2	
19	CAM 4414	Grommet	2	
	GHF 117	Retaining bolt	2	
	CAM 4618	Bush	2	
20	ARA 2768	Top radiator cowl	1	
21	ARA 2769	Lower radiator cowl	1	
21	ARA 2770	Lower radiator cowl	1	Cooper & "S"
22	ARA 1117	Cowl fixing screws	A/R	
23	PGK 10034	One piece cowl	1	1974 on
24	12G 4270	Cowl to bracket bolt	2	
25	CAM 4618	Rubber bush	2	
26	ARP 1073	Bracket spacer	1	
27	12A 2153	Cowl bracket	1	1974 on
28	GRD 110	Radiator	1	
28	MS 2054	Radiator, 16 gills per inch type	1	Cooper"S"/1275 GT
28	GRD 172	Radiator, base thermostat switch	1	May 1992 on
29	GRC 101	Radiator cap, 7 lb pressure	1	Long neck type
29	GRC 102	Radiator cap, 7 lb pressure	1	Short neck type
29	GRC 105	Radiator cap, 10 lb pressure	1	Cooper
29	GRC 110	Radiator cap, 15 lb pressure	1	1976 on
29	GRC 111	Radiator cap, 13 lb pressure	1	Mini 69 to 76, & "S"
30	GRH 244	Top hose, MK 1 850/998	1	To 1967
30	GRH 245	Top hose, MK 2	1	1967 on
30	GRH 467	Top hose	1	Clubman
30	GRH 469	Top hose	1	1275 GT
30	GRH 247	Top hose	1	Cooper "S"
31	GHC 913	Hose clip	A/R	Top & bottom hoses
32	GRH 240	Bottom hose	1)1968 to 89
32	GRH 201	Bottom hose	1)Alternatives
33	GRH 802	Bottom hose	1	No heater fitted
34	ARA 951	Hose clip for overflow hose	1	
35	GRH 1001M	Overflow hose	1	Meter length
36	14A 7286	Cowl rubber surround	1	To 1973
37	KRD 10009	L H inner wing cowl	1	Cooper & injection
38	12A 293	Lower radiator bracket	1	Cooper & "S"
39	22A 29	Lower radiator bracket	1	Mini 850/998
39	12G 2458	Lower radiator bracket	1	Clubman 998
39	12G 3641	Lower radiator bracket	1	1275 GT
40	11G 227	Mounting grommet	2	
	11G 228	Shouldered mounting bolt	2	
41	PGG 10046	Fan with cowl assembly	1) Cooper
42	PYF 10039	Rubber insulation	1) limited edition

Cooling



No.	PART No.	DESCRIPTION.	QTY.	REMARKS.
43	PGU 10006	Mounting bracket	1) Cooper
44	PYF 10040	Thermostat switch seal	1) limited
45	YWL 10010	Thermostat switch	1)
46	YMV 10069	Wiring harness	1) edition.
47	YWL 10009	Thermal switch	1) Cooper
48	PYF 10036	Thermal switch seal	1)
49	PGG 10046	Electric fan assembly	1)
50	PGL 10008	Fan shield	1)1300
51	PGU 10007	Mounting bracket	1)
52	PCF 10060	Expansion tank	1)
53	GRH 1213	Expansion tank hose	1) type.
54	UKC 3803	Hose clip	A/R	
55	PCF 10097	Expansion tank	1	1992 on
56	FS 106141	Mounting bolt	1	
57	GRH 1140	Top hose	1) New
58	GRH 1212	Top hose	1) Cooper
59	GRH 1216	Hose manifold, thermostat to heater	1	Cooper injection
60	GRH 1159	Bottom hose	1	Cooper carb. 1990 on
60	GRH 1242	Bottom hose	1	Cooper injection
61	GRH 1159	Bottom hose	1	Cooper limited edition
62	GRH 1289	Bottom hose	1	
62	GRH 1289	Bottom hose	1	Sprite 1300,82 on
31	GHC 913	Hose clip	A/R	Bottom & top hoses
63	PGG 10058	Cooling fan assembly, open type	1)1992
	CDU 1500	Thermostat switch	1) on
	CDU 2334	Switch seal	1)1992
	KTP 9002	Clip for switch	1) on
	PUB 10001	Mesh shield, for inner wing	1	Without electric fan
64	ADU 9102	Water heater valve	1) To
65	88G 221 B	Gasket	1)1990.
	JJB 10011	Water heater valve (in line)	1)1990
	12G 2534	Heater hose cylinder head connector	1) on.
	CF 55	Clova electric fan kit	1	



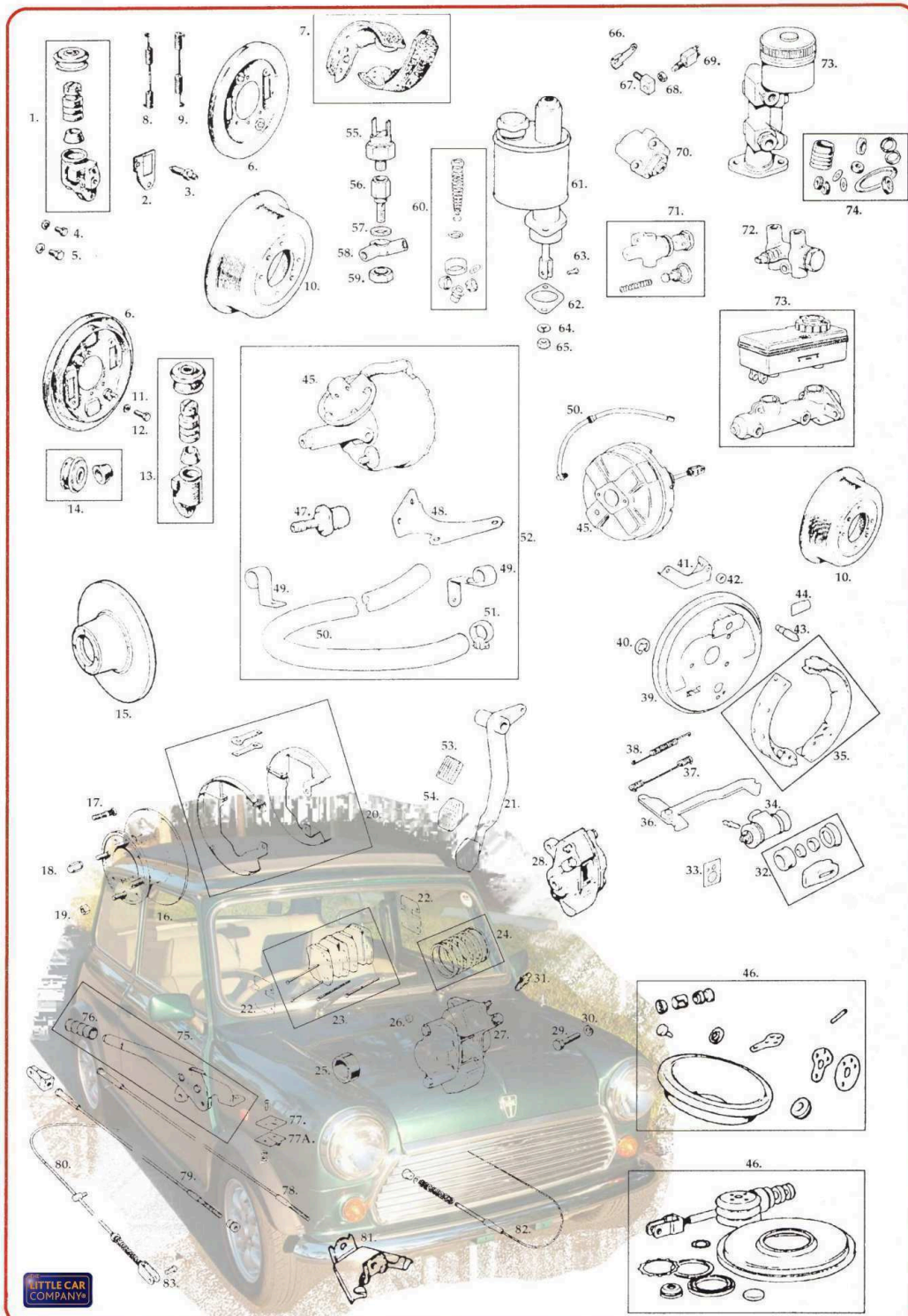


The Little Car Company; tel: +31 (0)73-62 19 705; www.tlcc.nl

No.	PART No.	DESCRIPTION.	QTY.	REMARKS.
1	PBC 10057	8 row oil cooler element	1)New Cooper
2	PBP 10019	Pipe, oil cooler to filter housing	1)to May 1992,
3	PBP 10020	Pipe, oil cooler to block	1)Not Injection.
4	ARA 9807	10 row oil cooler element	1	Alternative
4	ARA 221	13 row oil cooler element	1	Cooper "S"
4	ARA 9888	19 row oil cooler element	1	Alternative
5	MCR 54	Oil cooler pipe set with unions	1	Cooper "S".
5	MCR 54L	Oil cooler pipe set with unions	1	Rubber type, 19" long.
5	MCR 54A	Oil cooler pipe set with unions	1	Braided type, 13" long
5	MCR 54B	Oil cooler pipe set with unions	1	Braided type, 19" long
6	21A 1780	Block union, original type	1) Not required with
7	AHA 6423	Filter housing union, original type	1) cooler pipe sets.
8	13H 5191	Emmission control valve	1	
9	27H 7758	Rubber diaphragm	1	
10	12A 1735	Breather hose	1	
11	12G 2134	"Y" piece	2	
12	LLH 10112	Breather hose	1	
13	LLH 10056	Breather hose	1	
14	GHC 608	Hose clip	A/R	
15	GHC 405	Hose clip	A/R	
16	LLC 10047	Breather, oil separator, angled type	1	1989 on
17	GUG 2511HG	Gasket for breather	1	
18	SH 505061	Stud	2)
	GHF 163	Bolt	2) Alternatives
	GHF 332	Spring washer	2) Use with
	GHF 201	Nut	2) SH 505061 studs
19	LLC 10051	Breather, oil separator	1	Automatic type
20	BAU 5065M	Breather hose, per meter	1	
21	12G 2619	Breather, oil separator	1	
22	12G 1938	Plastic breather	1	
23	21A 2763	Gearbox steady bracket	1	
24	21A 2569	Steady rod	1	
25	21A 2785	Gearbox steady bracket	1	
24	FAM 2785	Steady rod	1	
	KKU 10080	Gearbox steady bracket	1) 1275,
	KKH 10013	Steady rod	1) 1990 on
26	31G 1085	Distance piece for bush,lower only	2	
27	CRC 5329	Rubber bush	4) Alternatives
	MS 2240	Rubber bush & plastic cone kit	2)
28	BH 605151	Retaining bolt	2	
29	GHF 332	Spring washer	2	
30	GHF 201	Nut	2	
31	12G 131	Gearbox mounting adaptor block	1	
32	12G 1319	Screw for adaptor block	1	
33	12A 361	Engine mounting bracket, L H	1	
34	22A 30	Engine mounting bracket, L H	1	Use before 12A 361
35	GHF 120	Engine mounting bolt	4	
29	GHF 332	Spring washer	4	
30	GHF 201	Nut	4	
36	21A 1107	Spacer plate	1)
37	21A 1106	Spacer piece	1) Up to 1970
38	2A 5869	Steady rod bracket	1)
38	21A 2387	Steady rod bracket	1	1970 on
39	BH 605051	Long bolt	1	
35	GHF 120	Short bolt	1	
40	21A 1902	Engine mounting	2	
41	GHF 163	Mounting bolt to clutch end cover	3	
42	21A 956	Remote extension mounting	1	
43	21A 745	Remote extension bracket	1	
44	53K 3439	"D" washer	3	
35	GHF 120	Bolt	3	
45	GHF 301	Plain washer	4	
29	GHF 332	Spring washer	4	
30	GHF 201	Nut	4	
46	22G 2026	Remote housing mounting bracket	1)
	BT 606281	Bracket to housing bolt	1) Rod type
47	22G 2205	Housing rubber mounting	2)
	GHF 332	Spring washer	4) gear change
	GHF 201	Nut	4)
48	22A 917	R H engine mounting	1) Automatic
48	22A 1018	L H engine mounting	1)

Oil Coolers



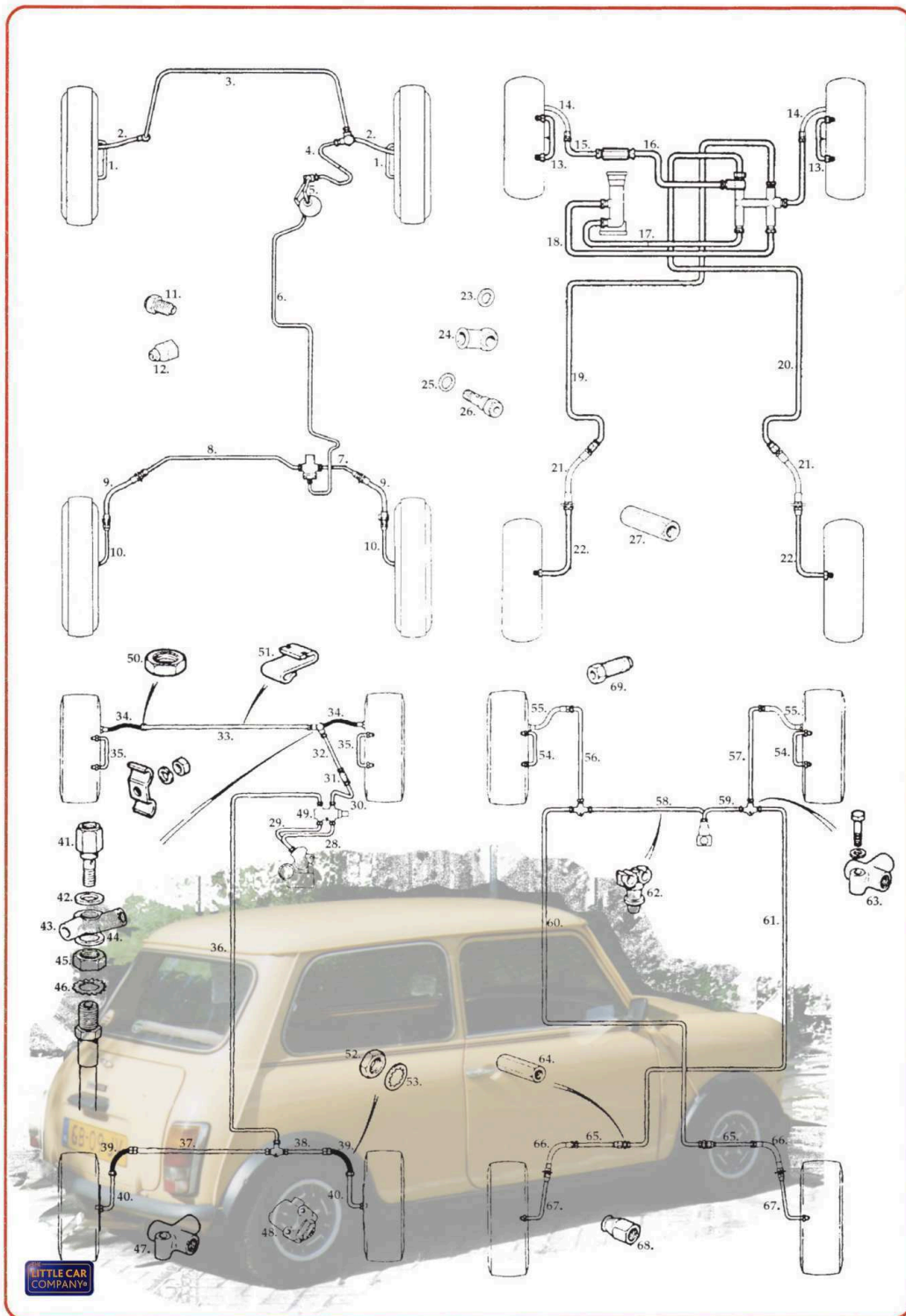


The Little Car Company; tel: +31 (0)73-62 19 705; www.tlcc.nl

No.	PART No.	DESCRIPTION.	QTY.	REMARKS.
1	GWC 126	LH front wheel cylinder	2)
1	WC 1	LH front wheel cylinder	2)Alternatives
2	37H 3833	Wheel cylinder gasket	4	
3	3H 2428	Bleed screw	4	
4	SH 604031	Retaining bolt, small	4	
	GHF 331	Lock washer	4	
5	SH 605051	Retaining bolt, large	4	
	GHF 332	Lock washer	4	
6	37H 2013	RH front back plate	1)
6	37H 2014	LH front back plate	1) Not MK1
7	GBS 733AF	Front brake shoe set	1)
8	AAU 8243	Shoe return spring	2	
9	AAU 8243	Shoe return spring	2	
10	21A 22	Front brake drum	2	GBD 105
	CMZ 407	Brake drum retaining screw	8	Not shown
	21A 1279	Brake drum	2	'S'/ GT/ Minis 84 on.
11	GHF 332	Lock washer	6	
12	21A 1299	Back plate retaining bolt	6	
13	GWC 127	RH front wheel cylinder	2)
13	WC 2	RH front wheel cylinder	2)Alternatives
14	GRK 2002	Front wheel cylinder kit	1	To suit GWC 126/127
15	21A 2612	Brake disc, 8.4" dia.	2	12" wheel type
16	21A 1265	Brake disc, 7.5" dia.	2	10" wheel type
16	BTA 193	Brake disc, 7" dia.	2	997/998 Cooper
17	21A 2064	Wheel stud, front	8	
18	GAW 115A	Wheel nut	16	Mini Special 79 on
18	NAM 9075	Wheel nut	16	New Cooper alloy
19	88G 322	Wheel nut, radiused seat	16	Steel wheels to 85
19	113087	Wheel nut, chamfered seat	16	Steel wheels 85 on
20	MCR 88	Disc cover set	1	7.5" disc type
20	MCR 88L	Disc cover set	1	8.4" disc type
21	NAM 3112	Brake pedal assembly	1	1976 on, RHD
21	NAM 3111	Brake pedal assembly	1	1976 on, LHD
22	17H 8630	Anti squeal shims	4	7.5" disc type
23	GBP 102AF	Disc pad set, Cooper 998	1	7" disc type
23	GBP 103AF	Disc pad set, Cooper S/GT	1	7.5" disc type
23	GBP 281	Disc pad set, all Minis 84 on	1	8.4" disc type
23	GBP 103DS	DS11 disc pad set, (competition)	1	7.5" disc type
23	GBP 281M	M1144 disc pad set, (competition)	1	8.4" disc type
24	KL 71594	Caliper seal kit	2	7" disc type
24	SSB 2604	Caliper seal kit	2	7.5" disc type
24	LK 15848	Caliper repair kit (pistons and seals)	1	8.4" disc type(car set)
25	111981	Caliper piston	4	7" disc type
25	3277-535	Caliper piston	4	7.5" disc type
26	17H 8764	Caliper bridge seal	2	7"/7.5" disc type
26	17H 7679	Caliper bridge seal	2	8.4" disc type
27	27H 4657	LH brake caliper, Cooper S/GT to 74	1	7.5" disc type
27	37H 8129	LH brake caliper, all Minis 84 on	1	8.4" disc type
28	27H 4656	RH brake caliper, Cooper S/GT to 74	1	7.5" disc type
28	37H 8128	RH brake caliper, all Minis 84 on	1	8.4" disc type
29	53K 1048	Caliper retaining bolt	4	
30	GHF 334	Lock washer	4	
31	3H 2428	Caliper bleed screw	2	
32	8G 8801	Wheel cylinder repair kit	2	To suit GWC 1101
32	GRK 2014	Wheel cylinder repair kit	2	To suit GWC 1102
32	GRK 2003	Wheel cylinder repair kit	2	To suit GWC 1131/1134
32	GRK 2004	Wheel cylinder repair kit	2	To suit GWC 1129
32	BHM 7015	Wheel cylinder repair kit	2	To suit GWC 1126
33	37H 4642	Wheel cylinder gasket	2	
34	GWC 1101	Rear cylinder, single line to .67	2	MK3 S 69-71/GT10"
34	GWC 1102	Rear cylinder, single/tandem line to 81	2)MK2 Cooper/S
34	WC 3	Rear cylinder, single/tandem line to 81	2)Alternatives
34	GWC 1131	Rear cylinder, split diagonal, 77-78	2	
34	GWC 1129	Rear cylinder,	2	GT12" wheel type
34	GWC 1126	Rear cylinder, split diagonal	2)GT12" wheel type
34	C 1065	Rear cylinder, split diagonal	2)Alternatives
34	GWC 1134	Rear cylinder,	2	Norway/Japan only
35	GBS 834AF	Rear brake shoe set	1	
36	SMN 10005	LH/RH handbrake lever set	1 pr.	
37	17H 8092	Lower brake shoe returning spring	2	
38	17H 7621	Upper brake shoe returning spring	2	
39	21A 1058	RH rear brake back plate	1	
39	21A 1060	LH rear brake back plate	1	
39	17H 8075	RH rear brake back plate	1) To suit cylinders
39	17H 8076	LH rear brake back plate	1) GWC 1101/1129
40	17H 7949	Wheel cylinder retaining clip	2	



No.	PART No.	DESCRIPTION.	QTY.	REMARKS.
41	21A 1669	RH handbrake cable bracket	1	
41	21A 1670	LH handbrake cable bracket	1	
42	53K 3437	Cable bracket packing washer	4	
43	17H 7619	Brake adjuster wedge	4	
44	17H 7618	Brake adjuster tappet	2	
45	13H 7939	Brake servo unit, MK 3 type	1	Remote type, single line
46	SSB 1036	Servo repair kit	1	To suit MK1/2 servo
45	GSM 119	Brake servo unit	1	Non remote, 1989 on
46	SSB 1073	Servo repair kit	1	To suit 13H 7939 servo
46	GSM 120	Servo repair kit	1	To suit GSM 119 servo
47	606030 A	Non return valve	1	Remote type servo
48	MCR 92	Servo, rear support bracket	1	Cooper S, MK 1/2
48	MCR 93	Servo, rear support bracket	1	Cooper S, MK 3
49	MCR 90	Servo, front support bracket	1	Cooper S, MK 1/2
49	MCR 91	Servo, front support bracket	1	Cooper S, MK 3
50	BAU 1476M	Vacuum hose	1) Remote type
51	MCR 94	Hose clip	2) servo
50	NAM 8568	Vacuum hose with valve	1	Non remote type
50	SQB 10036	Vacuum hose with valve	1	Injection type
52	MS 2679	Brake servo with installation kit	1	Remote type, single line
53	GPR 104A	Brake pedal rubber pad	1	To 1976
54	GPR 105A	Brake pedal rubber pad	1	1976-1990
54	SZU 10001	Brake pedal rubber pad	1	1990 on
55	XKB 100060	Brake stop light switch	1	
56	7H 7995	Connector bolt	1	Single line type
56	C 5192	Connector bolt	1	Tandem line type
57	3H 550	Connector bolt washer	1	
58	21A 654	Banjo connector	1	
59	21A 228	Brake hose lock nut	1	
60	GRK 1028	Master cylinder repair kit, cap & seal	1	GMC 171/172 cylinder
60	GRK 1006	Master cylinder repair kit, 2 seal type	1	GMC 171/172 cylinder
61	GMC 171	Brake master cylinder, single line	1	
61	GMC 172	Brake master cylinder, single line	1	Cooper S/ GT
62	31G 279	Master cylinder gasket	1	Single line type
62	31G 840	Master cylinder gasket	1	Dual line type
63	CLZ 512	Clevis pin	1	
64	GHF 332	Lock washer	2	
65	GHF 201	Retaining nut	2	
66	31G 843	Pedal stop locking plate	1	
67	31G 842	Pedal stop	1	
68	BMK 1903A	Lock nut	1	
69	13H 3735	Brake stop light switch	1	
70	13H 7757	Inertia valve assembly	1	MK3 LHD to 75
71	21A 2031	Pressure regulating valve	1	MK3 drum brakes
71	21A 1774	Pressure regulating valve	1	MK1/2 & Cooper S
	GRK 6002	Pressure valve repair kit	1	
72	13H 5905	Pressure failure switch assembly	1	LHD to 75
	BAU 1704A	Failure switch repair kit	1	
72	FAM 7821	Pressure reducing valve	1	1978 on
73	GMC 159	Dual master cylinder, round reservoir	1	Tandem system
73	GMC 160	Dual master cylinder, round reservoir	1	Split diagonal system
73	GMC 167	Dual master cylinder, square reservoir	1	Split diagonal system
73	GMC 227	Dual master cylinder, square reservoir	1	Nov.85 on, yellow tag
73	GMC 242	Dual master cylinder, servo mounted	1	
74	GRK 1019	Master cylinder repair kit	1	Suit GMC 159/160
74	GRK 1002	Master cylinder repair kit	1	Suit GMC 167
74	GRK 1035	Master cylinder repair kit	1	Suit GMC 227, yellow tag
74	GRK 1032	Master cylinder repair kit	1	Suit GMC 242
75	21A 2681	Handbrake lever assembly, to 76	1	Twin cable type
75	NAM 6491	Handbrake lever assembly, 76 on	1	Single cable type
76	FAM 8356	Handbrake grip	1	
77	21A385	Handbrake cable seal	2	
77	ACA 5522	Handbrake cable guide	2	
78	GVC 1035	Front handbrake cable	1	Saloon
79	FAM 625	Front handbrake cable	1	Estate, van & pick up
80	GVC 1034	Rear handbrake cable	1	Single cable type
81	FAM 621	Handbrake cable compensator	1	Single rear cable type
82	GVC 1022	Handbrake cable	2	Saloon dry, suspension
82	GVC 1020	Handbrake cable	2	Estate, van & pick up
82	GVC 1021	Handbrake cable	2	Hydrolastic suspension
83	CLZ 409	Cable clevis pin	2	



The Little Car Company; tel: +31 (0)73-62 19 705; www.tlcc.nl

No.	PART No.	DESCRIPTION.	QTY.	REMARKS.
SINGLE LINE SYSTEM				
1	BP 9	Wheel cylinder connecting pipe, 9"	2	Drum brakes
2	GBH 170	Front flexible brake hose	2)Drum brakes
2	H 0965	Front flexible brake hose	2)Alternatives
2	GBH 249	Front flexible brake hose	2)Disc brakes
2	H 1088	Front flexible brake hose	2)Alternatives
3	BP 43	LH to RH hose connecting pipe, 43"	1	
	11D 5263	Banjo connector	1	
4	BP 17	Front hose to 3 way pipe, 17"	1	
5	BP 12	Master cylinder to 3 way pipe, 12"	1	RHD
5	BP 32	Master cylinder to 3 way pipe, 32"	1	LHD
	3H 2424	3 way connector	1	
6	BP 101	Front 3 way to rear pressure valve, 101"	1	
6	BP 106	Front 3 way to rear pressure valve, 106"	1	Estate, van, pick up
7	BP 6	Pressure valve to RH rear hose, 6"	1	Dry suspension
7	BP 8	Pressure valve to RH rear hose, 8"	1	Hydrostatic suspension
8	BP 24	Pressure valve to LH rear hose, 24"	1	Dry suspension
8	BP 26	Pressure valve to LH rear hose, 26"	1	Hydrostatic suspension
9	GBH 250	Rear flexible brake hose	2)
9	H 0025	Rear flexible brake hose	2)Alternatives
10	BP 10	Rear hose to rear wheel cylinder, 10"	2	Dry suspension
10	BP 8	Rear hose to rear wheel cylinder, 8"	2	Hydrostatic suspension
11	TM 606031	Tube nut	A/R	Male type, UNF
12	TN 606031	Tube nut	A/R	Female type, UNF
SPLIT DIAGONAL SYSTEM				
13	BP 10	Front wheel cylinder connecting pipe	2	Drum brakes
14	GBH 170	Front flexible brake hose	2)Drum brakes
14	H 0965	Front flexible brake hose	2)Alternatives
14	GBH 249	Front flexible brake hose	2)Disc brakes
14	H 1088	Front flexible brake hose	2)Alternatives
15	BP 17	LH hose to tube connector, 17"	1	
16	BP 29	Tube connector to failure switch, 29"	1	
17	BP 9	Master cylinder to failure switch, 8.5"	1	RHD
17	BP 30	Master cylinder to failure switch, 30"	1	LHD
18	BP 32	Master cylinder to failure switch, 32"	1	LHD
18	BP 10	Master cylinder to failure switch, 9.5"	1	RHD
19	BP 116	Failure switch to LH rear hose, 116"	1	Saloon
19	BP 120	Failure switch to LH rear hose, 120"	1	Estate, van, pick up
20	BP 101	Failure switch to RH rear hose, 101"	1	
20	BP 96	Failure switch to RH rear hose, 96"	1	
21	GBH 250	Rear flexible brake hose	2)
21	H 0025	Rear flexible brake hose	2)Alternatives
22	BP 10	Rear hose to wheel cylinders, 10"	2	
23	233220 A	Banjo to failure switch washer	1	
24	7H 7853	Failure warning switch banjo	1	
25	3H 550	Banjo bolt washer	1	
26	21A 2518	Banjo bolt	1	
27	BCA 4002	Tube connector	1	
FRONT TO REAR SPLIT SYSTEM.				
28	BP 9 M	M/cyl. to pressure reducing valve, 9"	1	Without servo
28	BP 11 M	M/cyl. to pressure reducing valve, 11"	1	With servo
29	BP 14 M	M/cyl. to pressure reducing valve, 14"	1	Without servo
29	BP 26 M	M/cyl. to pressure reducing valve, 26"	1	With servo
30	BP 8 M	Pressure valve to connector, 8"	1	
31	BMK 2466 A	Tube connector	1	
32	BP 11	Tube connector to banjo connector, 11"	1	
33	BP 44	Banjo connector to LH front hose, 44"	1	
34	GBH 170	Front brake hose	2)Drum brakes
34	H 0965	Front flexible brake hose	2)Alternatives
34	GBH 249	Front brake hose	2)Disc brakes
34	H 1088	Front flexible brake hose	2)Alternatives
35	BP 10	Wheel cylinder connecting pipe, 10"	2	Drum brakes
36	BP 96 M	Pressure valve to rear 3 way, 96"	1	With servo
36	BP 102 M	Pressure valve to rear 3 way, 102"	1	Without servo
37	BP 25	LH rear hose to 3 way, 25"	1	
38	BP 6	RH rear hose to 3 way, 6"	1	
39	GBH 250	Rear brake hose	2)
39	H 0025	Rear flexible brake hose	2)Alternatives
40	BP 10	Rear hose to rear wheel cylinder, 10"	2	

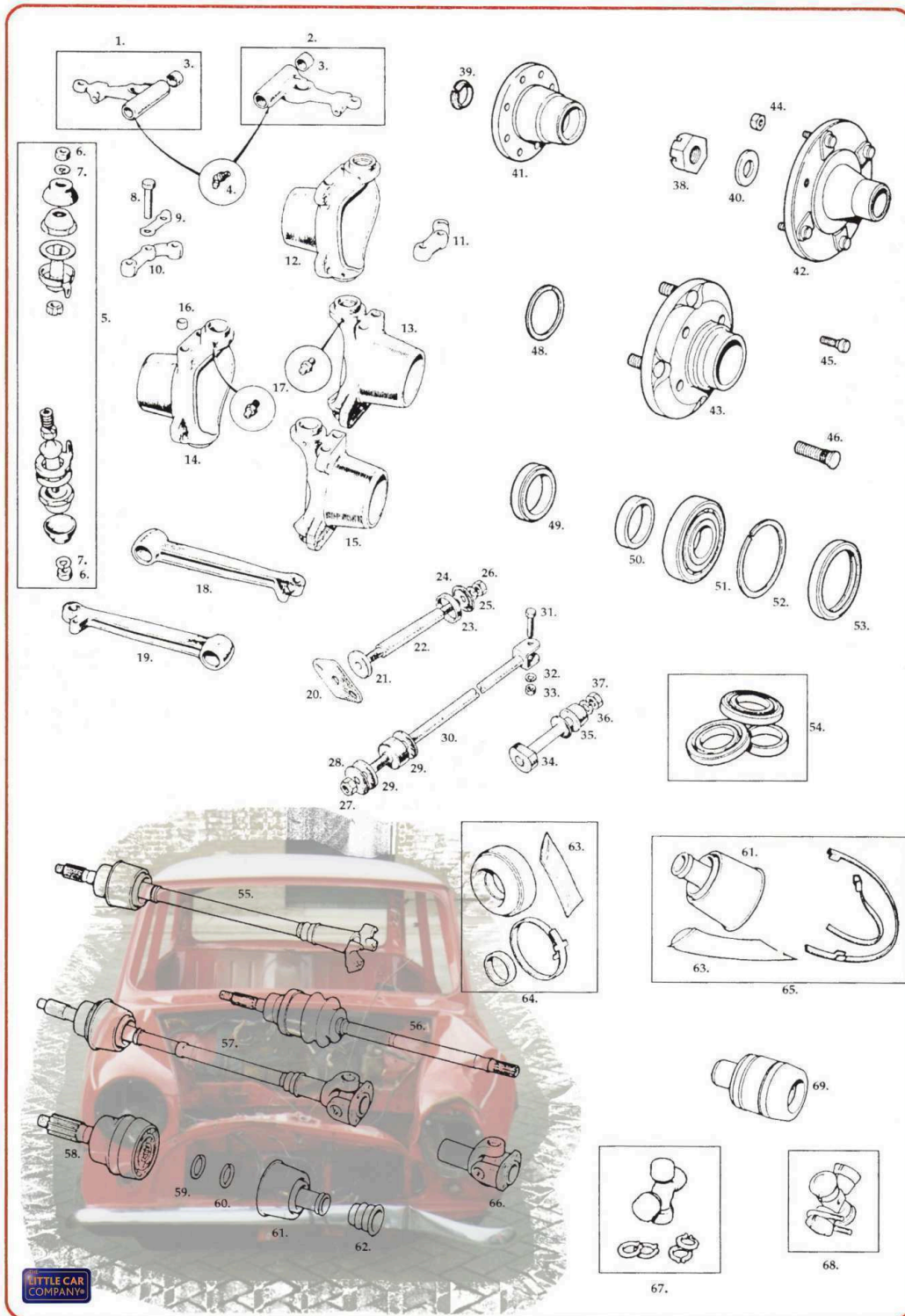


No.	PART No.	DESCRIPTION.	QTY.	REMARKS.
41	C 5192	Banjo bolt	1	
42	3H 550	Washer	1	
43	21A 654	Banjo connector	1	
44	233220 A	Washer	1	
45	21A 228	RH hose lock nut	1	
46	WE 600101	Shakeproof washer	1	
47	3H 2424	3 way connector	1	
48	13H 7757	Inertia valve assembly	1	MK3 to 1975,LHD
49	FAM 7821	Pressure reducing valve	1	1978 on
49	13H 5905	Pressure failure switch assembly	1	To 1975,LHD
	BAU 1704 A	Failure switch repair kit	1	
50	2K 8686	LH hose lock nut	1	
51	11K 9181	Pipe clip	2	
52	NT 606041	Rear hose lock nut	4	
53	GHF 323	Shakeproof washer	4	

SPLIT DIAGONAL SYSTEM.

54	BP 10	Wheel cylinder connecting pipe, 10"	2	Drum brakes
55	GBH 170	Front brake hose	2)Drum brakes
55	H 0965	Front flexible brake hose	2)Alternatives
55	GBH 249	Front brake hose	2)Disc brakes
55	H 1088	Front flexible brake hose	2)Alternatives
56	BP 19	LH 3 way to LH hose, 18.5"	1	
57	BP 17	RH 3 way to RH hose, 16.5"	1	
58	BP 33	Master cylinder to LH 3 way, 32.5"	1	
59	BP 10	Master cylinder to RH 3 way, 9.5"	1	
60	BP 114 M	LH 2 way to RH rear connector, 113.5"	1	Saloon
60	BP 118 M	LH 2 way to RH rear connector, 117.5"	1	Van
61	BP 118 M	RH 2 way to LH rear connector, 117.5"	1	Saloon
61	BP 122 M	RH 2 way to LH rear connector, 121.5"	1	Van
62	13H9593	Pipe clip to dash	A/R	
63	3H 2424	3 way connector	2	
64	BMK 2466 A	Tube connector	2	
65	BP 7 M	Connector tube to rear hose, 7"	2	
66	GBH 250	Rear flexible brake hose	2)
66	H 0025	Rear flexible brake hose	2)Alternatives
67	BP 10 M	Rear hose to rear wheel cylinder, 10"	2	
68	TN 606031	Tube nut	A/R	Female type, UNF
68	TN 110051	Tube nut	A/R	Female type, Metric
69	TM 606031	Tube nut	A/R	Male type, UNF
69	TM 110051	Tube nut	A/R	Male type, Metric





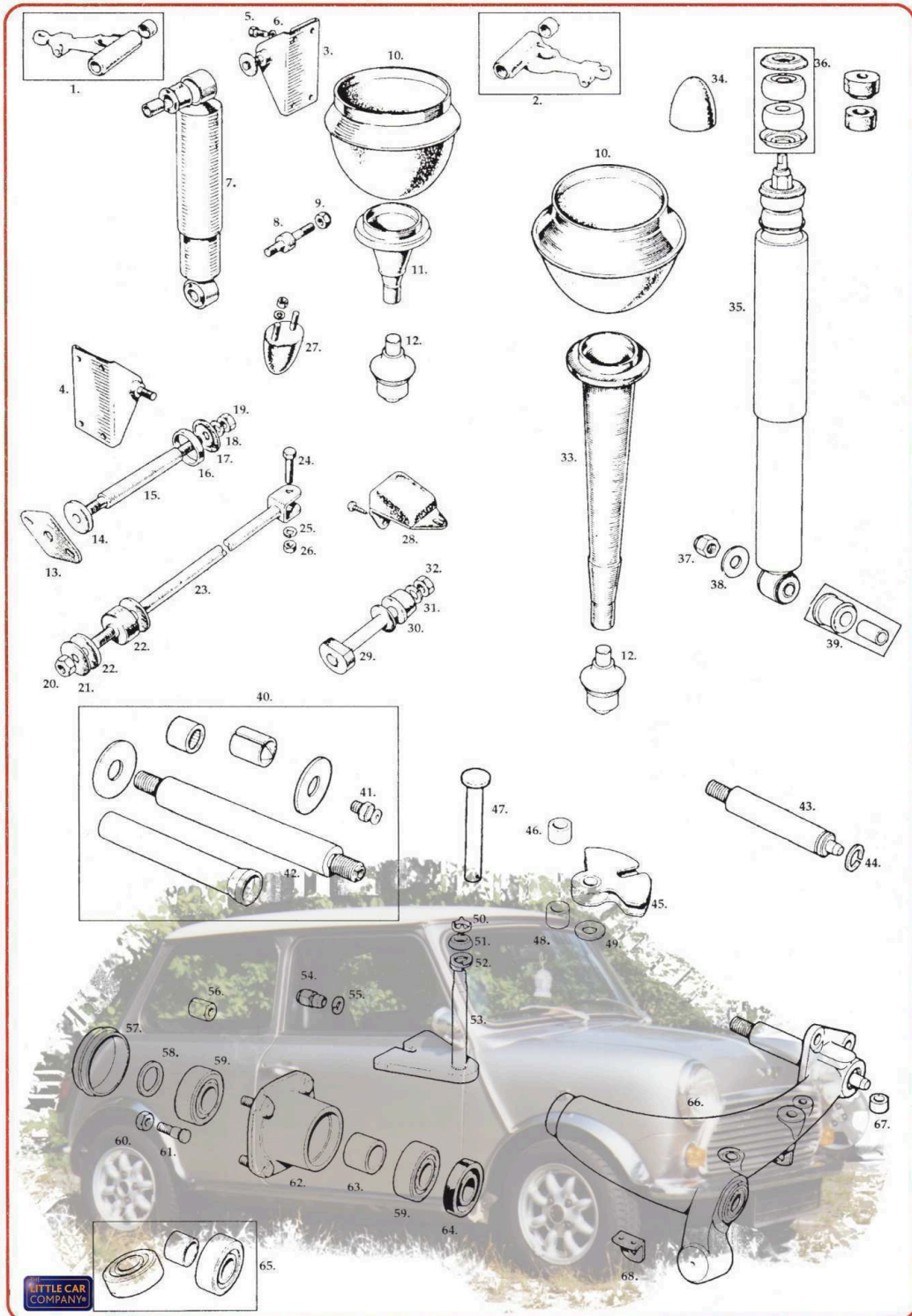
The Little Car Company; tel: +31 (0)73-62 19 705; www.tlcc.nl

No.	PART No.	DESCRIPTION.	QTY.	REMARKS.
1	21A 2690	RH top suspension arm	1) Dry suspension
2	21A 2691	LH top suspension arm	1)
1	21A 1479	RH top suspension arm	1) Hydro suspension
2	21A 1482	LH top suspension arm	1)
3	88G 302	Top arm needle roller bearing	4	
4	UHN 445	Grease nipple	2	
5	GSJ 166	Top & lower ball joint kit	2	
6	FNZ 507	Retaining nut	4	
7	GHF 334	Spring washer	4	
8	2A 4315	Retaining bolt	4	
9	2K 5377	Lock washer	2	
10	BTA 896	RH steering arm	1) Except
11	BTA 897	LH steering arm	1) S/GT
10	BTA 894	RH steering arm	1) Cooper S/
11	BTA 895	LH steering arm	1) 1275 GT
12	21A 371	RH swivel hub	1) Drum
13	21A 372	LH swivel hub	1) brakes
14	FAM 2390	RH swivel hub	1) Disc
15	FAM 2391	LH swivel hub	1) brakes
16	FAM 6924	Steering arm dowel	4	
17	LN 10051	Grease nipple	4	
18	21A 1881	LH lower arm	1	
19	21A 1879	RH lower arm	1	
20	2A 4327	Retaining plate	2	
21	2A 4326	Thrust collar	2	
22	2A 4325	Top arm shaft	2	
23	2A 7327	Rubber sealing ring	4	
24	2A 7324	Thrust washer	2	
25	GHF 335	Spring washer	4	
26	FNZ 508	Retaining nut	4	
27	GHF 223	Retaining nut (nyloc)	2	
28	PWZ 207	Plain washer	2	
28	ACA 9759	Cup washer	2	
29	31G 1155	Rubber pad	4	
30	8G 4249	Tie rod assembly	2	
31	53K 1031	Retaining bolt	2	
32	GHF 332	Spring washer	2	
33	FNZ 505	Retaining nut (nyloc)	2	
34	2A 4362	Lower arm shaft	2	
35	21A 1882	Lower arm bush	4	
36	GHF 332	Spring washer	2	
37	GHF 223	Retaining nut	2	
38	21A 79	Drive flange nut	2) Drum brakes &
40	2A 7323	Plain washer	2) Cooper
38	BTA 249	Drive flange nut	2) Discs except
39	BTA 243	Outer split collar	2) Cooper
41	21A 1270	Drive flange	2	7.5" dia.
	SF604061	Flange / disc screw	8	disc type
42	21A 231	Drive flange	2	Drum brakes
42	BTA 191	Drive flange	2	7" dia. disc type
43	21A 2695	Drive flange	2	8.4" dia.
	BTA 370	Flange / disc screw	8	disc type
45	21A 2064	Front wheel stud	8	Except 8.4" dia. disc type
46	NAM 5645	Front wheel stud	8	8.4" dia. disc type
48	2A 4361	Spacer	2	Cooper S /GT
49	2A 4295	Distance piece	4) Cooper
50	21A 233	Distance ring, not for GHB 211 bearing	4) 997/998
51	GHB 211	Front wheel bearing	4) & drum
52	21A 1307	Spacer	2) brakes
52	2A 4361	Spacer	2	All discs except Cooper
53	GHS 173	Oil seal, inner	2	
53	GHS 101	Oil seal, outer	2	
54	GHK 1018	Front wheel bearing kit, with seals	2	Cooper & drum brakes
54	GHB 143	Front wheel bearing kit, taper roller type	2) Disc type, except Cooper
55	21A 1760	RH drive shaft	1) Rubber coupling type
55	21A 1761	LH drive shaft	1) Cooper & drum brakes
55	21A 2295	RH drive shaft	1) Rubber coupling type
55	21A 2296	LH drive shaft	1) Cooper S
56	GCV 1104	RH drive shaft	1) Pot joint type
56	GCV 1103	LH drive shaft	1) Drum brakes

<u>No.</u>	<u>PART No.</u>	<u>DESCRIPTION.</u>	<u>QTY.</u>	<u>REMARKS.</u>
56	ADU 4402	RH drive shaft	1)Pot joint type, Disc type
56	ADU 4403	LH drive shaft	1)except 998 Cooper
57	21A 1857	RH drive shaft	1)Hardy spicer type
57	21A 1858	LH drive shaft	1)Cooper S & automatic
58	GCV 1105	C.V. joint, outer)	2	Cooper & drum brakes
58	CV 1	C.V. joint, outer) Alternatives		
58	GCV 1013	C.V. joint, outer)	2	Disc type, except Cooper
58	CV 1	C.V. joint, outer) Alternatives		
59	37H 8706	Circlip, inner joint	2	Pot joint type
60	17H 8597	Circlip, outer joint	2	Thick type
61	BK 10	Outer rubber boot	2	Inc. in 18G 9028 kit
62	GSV 1192	Inner rubber boot	2	Inc. in 18G 9029 kit
63	AKF 1457	Grease satchet	A/R	
64	GSV 1073	Inner joint boot kit	2	For pot joints
65	GSV 1053	Outer joint boot kit	2	For GSV 1053 joint
66	27H 7880	Hardy spicer inner joint	2	Cooper S & automatic
67	GUJ 101	Hardy spicer inner joint, repair kit	2	Cooper S & automatic
68	MS 2034	Rubber drive coupling & U bolt kit	2	
68	MS 2036	Rubber drive coupling	2	
69	DAM 667	Offset spherical joint (pot joint)	2) Alternative
69	GCV 1102	Offset spherical joint (pot joint)	2) types

Hubs & Driveshafts





The Little Car Company; tel: +31 (0)73-62 19 705; www.tlcc.nl

No.	PART No.	DESCRIPTION.	QTY	REMARKS.
1	21A 2690	R H top suspension arm	1) Rubber
2	21A 2691	L H top suspension arm	1) suspension
1	21A 1479	R H top suspension arm	1) Hydraulic
2	21A 1482	L H top suspension arm	1) suspension
3	21A 471	R H top shock absorber mounting	1	
4	21A 474	L H top shock absorber mounting	1	
5	HZS 405	Retaining bolt	8	
6	GHF 331	Spring washer	8	
7	GSA 388	Shock absorber	2	
8	2A 4337	Lower mounting pin	2	
9	GHF 222	Retaining nut (nyloc)	2	
10	FAM 3968	Rubber suspension cone	4	
11	21A 530	Front strut (alloy)	2	
12	21A 1163	Knuckle joint assembly	4	
13	2A 4327	Retaining plate	2	
14	2A 4326	Thrust collar	2	
15	2A 4325	Top arm support shaft	2	
16	2A 7327	Rubber sealing ring	4	
17	2A 7324	Thrust washer	2	
18	LWZ 308	Spring washer	4	
19	FNZ 508	Retaining nut	4	
20	GHF 224	Tie rod retaining nut (nyloc)	2	
21	PWZ 207	Plain washer	2	
21A	ACA 9759	Cup washer	2	
22	31G 1155	Rubber pad	4	
23	8G 4249	Tie rod assembly	2	
24	53K 1031	Retaining bolt	2	
25	GHF 332	Spring washer	2	
26	FNZ 505	Retaining nut (nyloc)	2	
27	2A 4332	Bump buffer	2	
27	FAM 2764	Bump buffer, single bolt type	2	1976 on
	GHF 331	Spring washer	A/R	
	GHF 200	Retaining nut	A/R	
28	2A 4267	Rebound buffer	2	
	13H 2776	Retaining screw	2	
29	2A 4362	Lower suspension arm shaft	2	
30	21A 1882	Lower shaft bush	4	
31	GHF 333	Spring washer	2	
32	FNZ 506	Retaining nut	2	
33	21A 1684	Rear strut (alloy)	2	
34	21A 640	Shock absorber top buffer	2	
35	GSA 389	Rear shock absorber	2	Saloon
35	GSA 71116	Rear shock absorber	2	Van, estate, pick-up
36	MS 300	Upper mounting bush kit	2	
37	GHF 222	Lower retaining nut	2	
38	AJB 7162	Plain washer	4	
39	21A 1230	Lower bush complete	2	
40	8G 7134	Radius arm spindle & bush kit	2	
41	LN 10051	Lubricator	2	
42	ACA 9099	Radius arm spindle	2	
43	2A 7351	R H hub shaft	1) Rubber
43	2A 7364	L H hub shaft	1) suspension
43	21A 1486	R H hub shaft	1) Hydraulic
43	21A 1490	L H hub shaft	1) suspension
44	2A 7352	Circlip	2	
45	21A 2454	Handbrake cable sector	2) Rubber
46	21A 1420	Distance piece	2)
47	CLZ 549	Clevis pin	2) suspension
48	21A 798	Sector bush	2) Hydraulic
49	AWZ 105	Washer	2)
50	21A 1513	Spire clip	2)
51	21K 1512	Thrust washer	2) suspension
52	2K 2545	Spring washer	2) Hydraulic
53	21A 1507	Handbrake cable sector	2)
67	LBS 507	Sector bush	2) suspension
54	FAM 64	Wheel nut	16) Clubman
55	FAM 65	Wheel nut split washer	16) 1275 GT
56	AHA 8785	Wheel nut	16) Denovo wheel type
57	ATB 4098	Grease retaining cap	2	
58	BTA 672	Plain washer	2	

Suspension

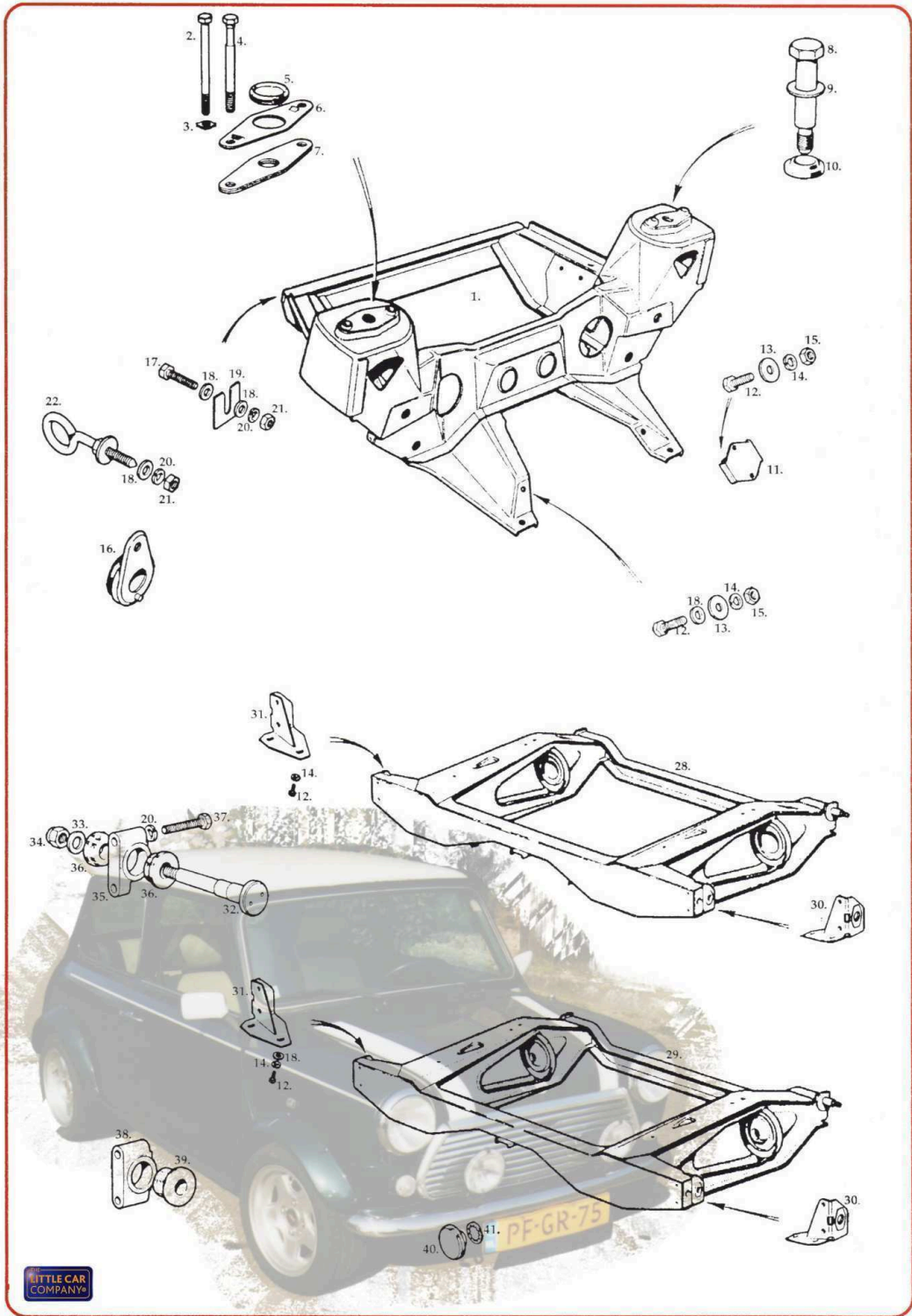
59



No.	PART No.	DESCRIPTION.	QTY	REMARKS.
	GHF 502	Split pin	2	
59	GHB 116	Rear wheel bearing	4	
65	GHK 1088	Rear wheel bearing kit	2	
65	GHB 147	Rear wheel bearing kit,tapper roller type	2	S/GT/Mini 84 on
60	88G 322	Wheel nut	16	
61	21A 2064	Rear wheel stud	8	
61	21A 1278	Rear wheel stud	8	S/GT/Mini 84 on
62	21A 2023	Rear hub assembly	2	
62	21A 1277	Rear hub assembly	2	S/GT/Mini 84 on
63	2A 7354	Bearing spacer	2	Use with GHB 116
64	GHS 102	Rear hub oil seal	2	
66	NAM 7162	R H rear radius arm assembly	1) Rubber
66	NAM 7163	L H rear radius arm assembly	1) suspension
66	21A 1485	R H rear radius arm assembly	1) Hydraulic
66	21A 1489	L H rear radius arm assembly	1) suspension
68	21A 397	Brake hose bracket	2) Rubber suspension
68	21A 1375	Brake hose bracket	2) Hydro suspension

Suspension

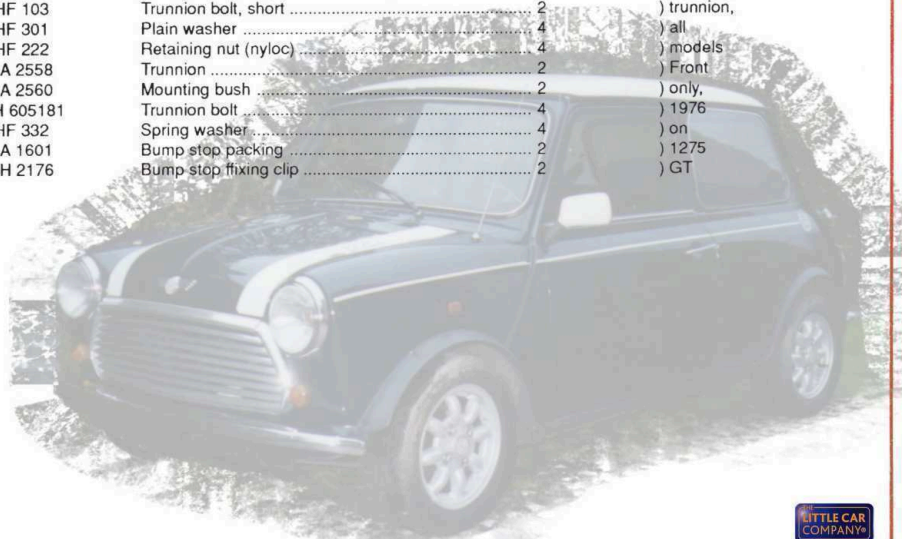


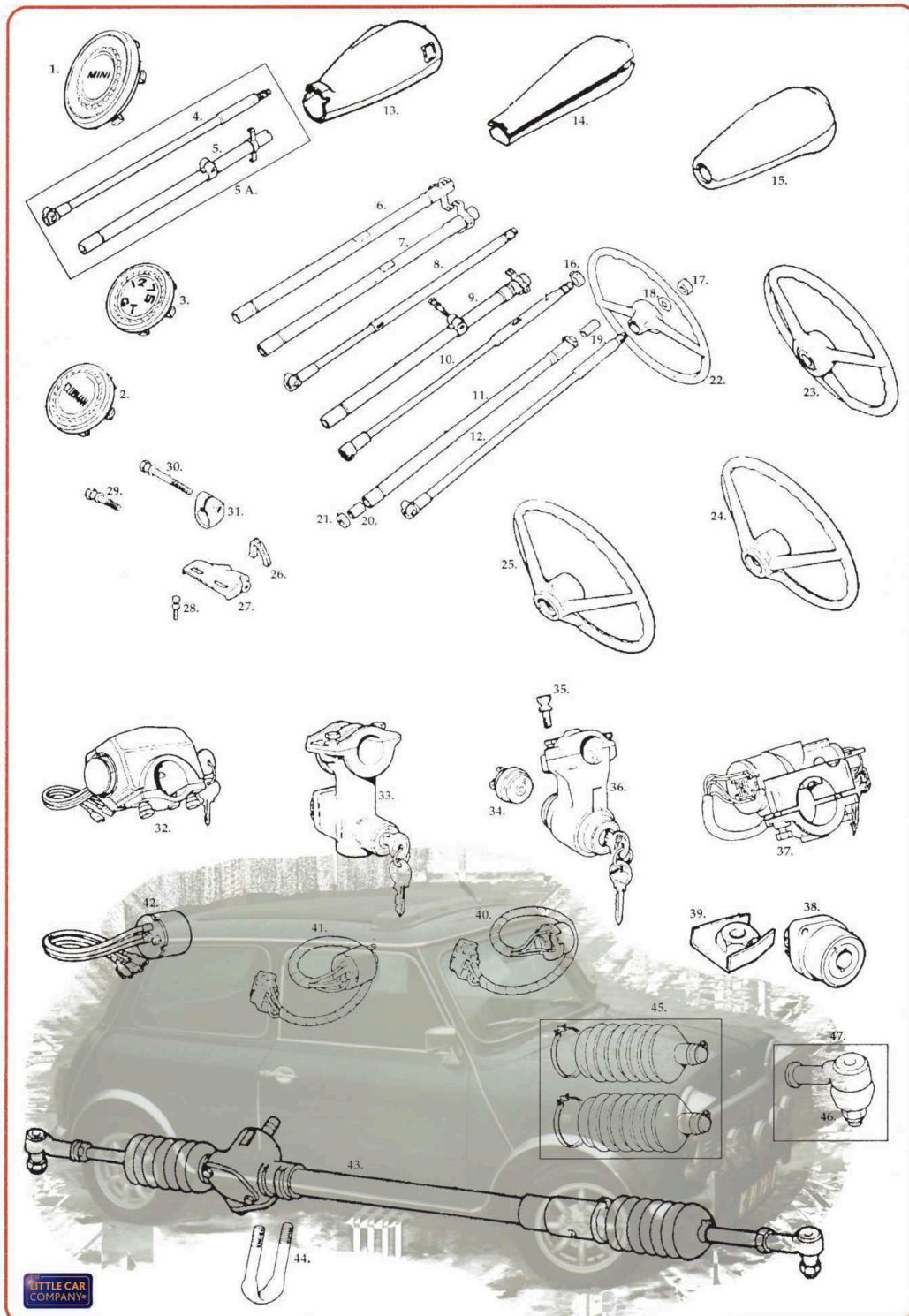


The Little Car Company; tel: +31 (0)73-62 19 705; www.tlcc.nl

No.	PART No.	DESCRIPTION.	QTY.	REMARKS.
1	4010004	Front subframe assembly,pre face lift	1	Dry suspension
1	4010003	Front subframe assembly,pre face lift	1	Hydro suspension
1	4010005	Front subframe assembly, face lift	1	Dry suspension,76on
1	KGB 10022	Front subframe assembly	1	1990 on. 998cc
1	KGB 10024	Front subframe assembly	1	Automatic
1	KGB 10027	Front subframe assembly	1	1990 on. 1300cc
2	21A 1694	Top retaining bolt	4	Hydraulastic
3	53K 3721	Plain washer	4	suspension
4	21A 90	Top retaining bolt	4) Dry
5	RFR 220	Blanking grommet	2) suspension,
6	21A 1470	Locking plate	2)
7	21A 2598	Subframe to bulkhead rubber pad	2) to 1976
8	21A 2596	Top retaining bolt	2) Dry
9	53K 3755	Plain washer	2)
10	21A 2597	Top rubber pad	2) suspension
11	21A 2599	Subframe rear mounting	2)
12	GHF 120	Mounting bolt	A/R)
13	GHF 301	Plain washer	A/R) 1976 on
14	GHF 332	Spring washer	A/R)
15	GHF 201	Retaining nut	A/R)
16	21A 2624	Subframe front mounting	2) Dry
17	GHF 103	Mounting bolt	4)
18	PWZ 205	Plain washer	A/R)
19	2A 4292	Packing piece	A/R) suspension
20	GHF 332	Spring washer	A/R)
21	GHF 201	Retaining nut	A/R)
22	21A 1241	Towing eye	2) 1976 on
28	4010006	Rear subframe assembly	1) Hydraulastic type
29	4010007	Rear subframe assembly	1) Dry type suspension
29	FAM 6290	Rear subframe assembly	1)
29	KHB 10023	Rear subframe assembly	1	1275, except Germany/Italy
29	KHB 10024	Rear subframe assembly	1	1275, Germany/Italy only
30	21A 197	L H spindle mounting bracket	1) Hydraulastic &
31	21A 195	R H spindle mounting bracket	1) dry suspension
32	21A 1440	Trunnion support pin	2) Front
33	PWZ 207	Plain washer	2) trunnion
34	LNZ 207	Retaining nut (nyloc)	2) all models
35	2A 5819	Trunnion	4) Front &
36	2A 5818	Mounting bush	8) rear to 76
37	SH 605181	Trunnion bolt, long	2) Front
37	GHF 103	Trunnion bolt, short	2) trunnion
20	GHF 332	Spring washer	8) all models
37	BH 605201	Trunnion bolt, long	2) Rear
37	GHF 103	Trunnion bolt, short	2) trunnion,
18	GHF 301	Plain washer	4) all
	GHF 222	Retaining nut (nyloc)	4) models
38	21A 2558	Trunnion	2) Front
39	21A 2560	Mounting bush	2) only,
37	SH 605181	Trunnion bolt	4) 1976
20	GHF 332	Spring washer	4) on
40	21A 1601	Bump stop packing	2) 1275
41	13H 2176	Bump stop fixing clip	2) GT

Subframes





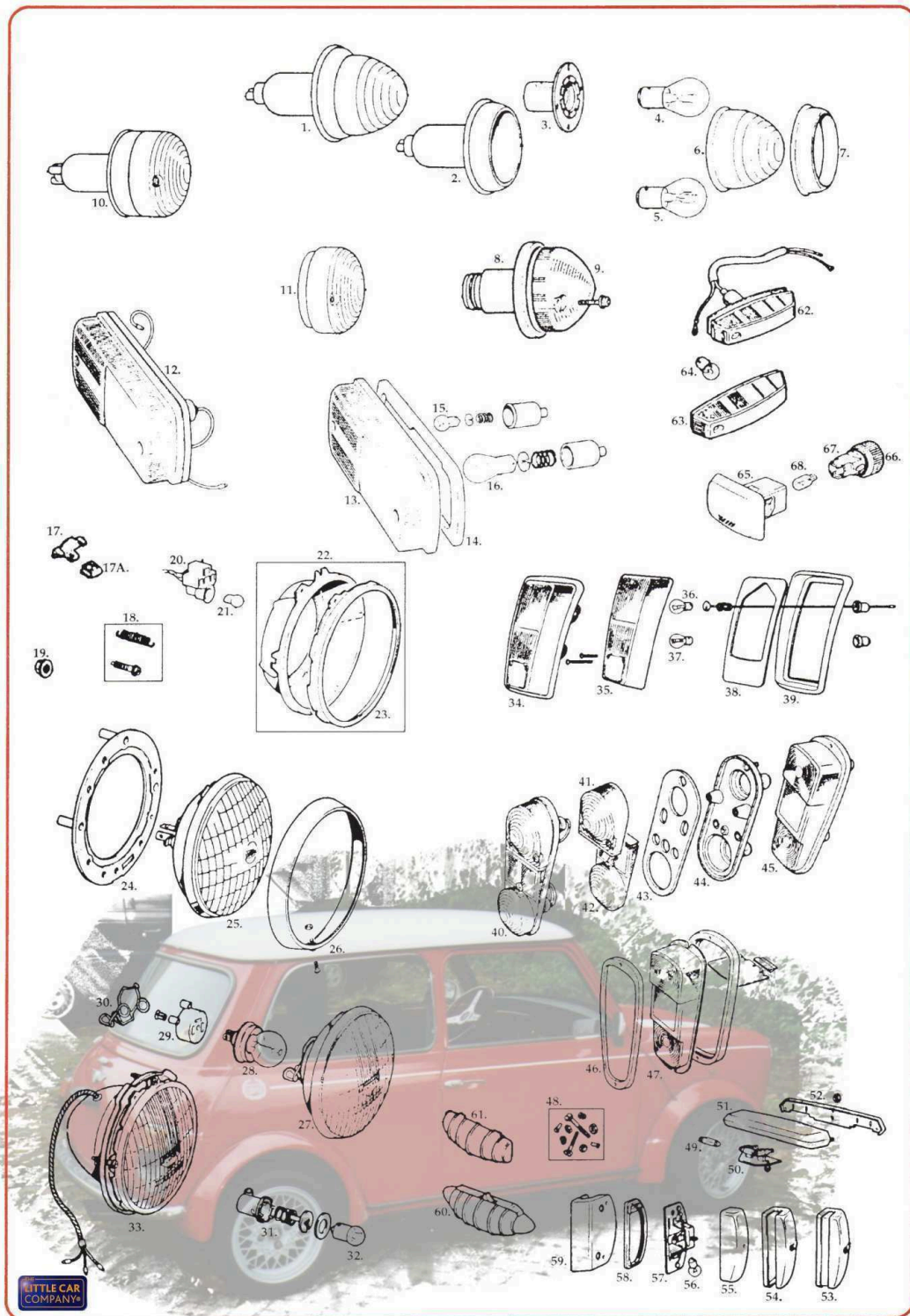
The Little Car Company; tel: +31 (0)73-62 19 705; www.tlcc.nl

No.	PART No.	DESCRIPTION.	QTY.	REMARKS.
1	21A 2252	Steering wheel motif. "MINI"	1	
2	21A 2228	Steering wheel motif. "CLUBMAN"	1	
3	21A 2324	Steering wheel motif. "1275 GT"	1	
4	21A 2635	Inner steering column	1	
5	FAM 2918	Outer steering column	1	
5A	NAM 8527	Inner & outer column, complete	1	1985 on
6	21A 2142	Outer steering column, L H D	1	No lock fitted, to 76
7	21A 2066	Outer steering column, RH D	1	No lock fitted, to 76
8	21A 2437	Inner steering column	1	No lock fitted, to 76
9	21A 2436	Outer steering column	1	
10	FAM 5285	Inner steering column	1	
11	21A 2066	Outer steering column, MK 1	1	No lock fitted
12	21A 2069	Inner steering column, MK 1, R H D	1	No lock fitted
12	21A 2557	Inner steering column, MK 1, L H D	1	No lock fitted
13	BHM 7085	Column cowl, MK 4	1pr.	Twin switch type
14	8G 6027	Column cowl, MK 1	1pr.	
15	8G 6035	Column cowl, MK 2/3	1pr.	No lock fitted
15	18G 8803	Column cowl, MK 3/4	1pr.	With lock fitted
16	21H 208	Indicator switch striker	1	
17	ACH 6001	Steering wheel nut	1	
18	53K 3480	Shakesproof washer	1	
19	GSV 1095	Upper column bush	1	
19	NAM 8553	Upper column bush	1	1985 on
20	GSV 1127	Lower column bush	1	
20	NAM 8563	Lower column bush	1	1985 on
21	21A 30	Sealing washer	1	
22	21A 2485	Steering wheel	1	
23	21A 2355	Steering wheel	1	
24	21A 2225	Steering wheel	1	Clubman
25	21A 2226	Steering wheel	1	
25	NAM 5634LOY	Steering wheel, Granite colour	1	Mayfair & Sprite
25	ADU 6234	Steering wheel, Black/Red stitching	1	British Open
25	NAM 9552PMA	Steering wheel, Black/Red trim	1	New Cooper
26	31G 789	Bridge support piece	1	
27	21A 2463	Bracket to body	1	With lock fitted
28	51K 4002	Shear bolt, (1.45")36.83mm	2	
29	51K 4004	Shear bolt, (1.19")29.94mm	1	
30	51K 4006	Shear bolt, (2.69")68.33mm	1	
	21H 295	Shear bolt nut	A/R	
31	21A 2666	Column to bracket clip	1	With lock fitted
32	18G 8892	Steering lock assy. with ignition switch	1	R H D to 76
33	13H 6459	Steering lock assy. with ignition switch	1	
34	27H 6237	Ignition switch	1	
35	37H 4325	Shear bolt	2	
36	BHM 7107	Steering lock assy. with ignition switch	1	1976 on
37	18G 8893	Steering lock assy. with ignition switch	1	
38	37H 5934	Ignition switch	1	
39	21A 1657	Locating plate	1	
40	37H 6962	Ignition switch (Lowe & Fletcher)	1	
41	37H 6544	Ignition switch (Magnatex)	1	
42	37H 4568	Ignition switch	1	
43	NAM 5058	Steering rack, New, R H D	1	1968 on
43	NAM 5059	Steering rack, New, L H D	1	1968 on
43	NAM 5058RE	Steering rack, Reconditioned, R H D	1	1968 on
43	NAM 5058LE	Steering rack, Reconditioned, L H D	1	1968 on
43	GSR 371	Steering rack, New, R H D	1	
43	GSR 170	Steering rack, New, L H D	1	Silverstone & Switzerland
43	GSR 163	Steering rack, New, L H D	1	
44	2A 6208	Rack "U" bolt	2	
	GHF 222	"U" bolt lock nut, (nyloc)	4	
	21A 2553	"U" bolt anti-friction strip	2	
45	GSV 1056	Steering rack gaiter kit	1pr.	Rubber gaiter type
45	GSV 1153	Steering rack gaiter kit	1pr.	Plastic gaiter type
46	GHF 223	Track rod end retaining nut (nyloc)	2	
47	GSJ 734	Track rod end	2	

Steering

65





The Little Car Company; tel: +31 (0)73-62 19 705; www.tlcc.nl

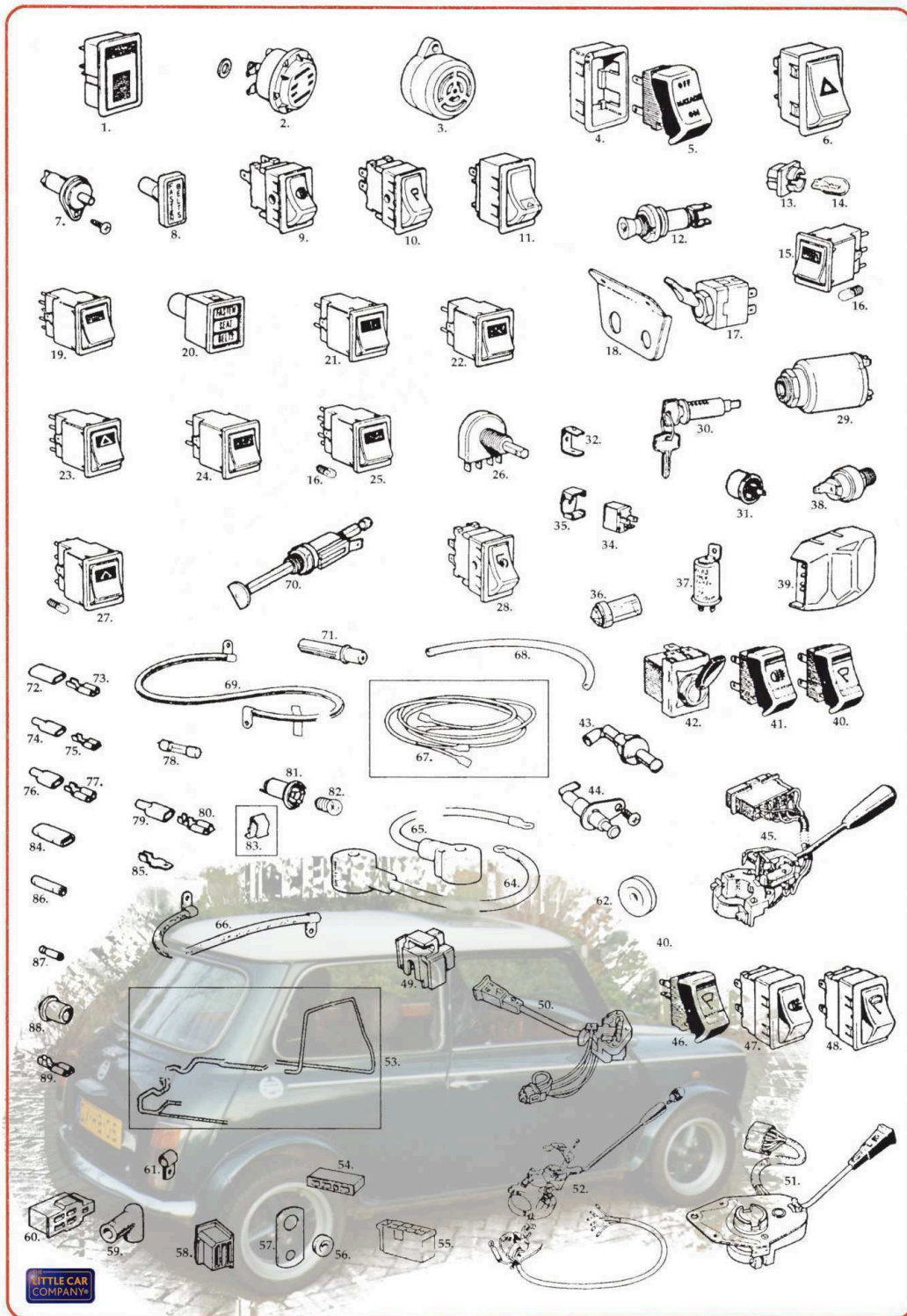
No.	PART No.	DESCRIPTION	QTY.	REMARKS.
1	CHM 13	Flasher lamp, amber plastic lens	2	
1	2A 9013	Flasher lamp, amber glass lens	2	
1	1B 9100	Flasher/side lamp, clear glass lens	2	Not U K
2	508162	Rubber body	2	
3	37H 5528	Bulb holder, flasher lamp	2	
3	27H 5545	Bulb holder, side/flasher lamp	2	Not U K
4	GLB 382	Flasher bulb	2	
5	GLB 380	Flasher/side bulb	2	Not U K
6	37H 8130	Amber lens, plastic	2	
6	37H 5520	Amber lens, glass	2	
6	37H 6928	Clear lens, glass	2	
7	7H 5182	Chrome rim	2	
8	AFU 3389	Flasher lamp, amber	2	1987 on
9	CDU 3374	Amber lens	2	1987 on
10	575457 A	Flasher lamp, Europe	2	
11	37H 6111	Lens, Europe	2	
12	ADU 3017	L H side/flasher lamp	1	Clubman
13	ADU 3018	R H side/flasher lamp	1	Clubman
14	37H 4190	Lens seal	2	
15	GLB 233	Sidelamp bulb	2	
16	GLB 382	Flasher bulb	2	
17	CDU 4056	Headlamp rim retaining bracket	2	
17 A	37H 7421A	Nut for bracket	2	
18	BAU 2108A	Headlamp adjuster kit	2	
19	BHM 7058	Headlamp bowl plastic nut	6	
20	BAU 2111	Connector with bulb holder	2	
21	GLB 501	Sidelamp bulb	2	
22	27H 6481	Chrome retaining rim set	2	
23	515218 A	Chrome inner retaining rim	2	Sealed beam type
24	9403	Headlamp bowl seal	2	
25	13H 3471A	Sealed beam light unit	2	R H D
25	S 4698B	Wipac Quadroptic headlamp kit	1	R H D
25	S 4699B	Wipac Quadroptic headlamp kit	1	L H D
25	S 4700	Quadroptic light unit	2	R H D
25	S 4701	Quadroptic light unit	2	L H D
26	500929	Chrome headlamp rim	2	
26	37H 7588	Chrome headlamp rim	2	Cibie type
26	401025-7	Chrome headlamp rim	2	Pattern part
27	XCC 10001	Headlamp light unit	2) Optional
28	GLB 410	Headlamp bulb	2)
29	600226A	Bulb holder	2) equipment
30	47H 5125	Bulb retaining clip	2)
31	BAU 4447	Sidelamp bulb holder	2)
32	GLB 233	Sidelamp bulb	2) 1990 on
33	BHM 7196	Headlamp assembly, without sidelamp	2	Clubman R H D
33	BHM 7198	Headlamp assembly, sealed beam type	2	R H D
33	13H 7922	Headlamp assembly, Lucas type	2	R H D
34	13H 6479	R H rear lamp, without reverse lens	1)
34	13H 6480	L H rear lamp, without reverse lens	1) MK2/3
35	37H 4837	R H lens for 13H 6479	1) type
35	37H 4838	L H lens for 13H 6480	1)
34	XFB 10082	R H rear lamp, with reverse lens	1)
34	XFB 10083	L H rear lamp, with reverse lens	1)
35	XFJ 10026	R H flasher/stop tail lens	1)
35	XFJ 10027	L H flasher/stop tail lens	1)
35	XFJ 10028	R H reverse lens & reflector	1)
35	XFJ 10029	L H reverse lens & reflector	1)
36	GLB 382	Flasher bulb	2	
37	GLB 380	Side/tail lamp bulb	2	
38	37H 6778	Lens gasket	2	
39	37H 2690	R H lamp seating gasket	1	MK 2/3/4
39	37H 2689	L H lamp seating gasket	1	MK 2/3/4
40	13H 223	R H rear lamp assembly	1)
40	13H 222	L H rear lamp assembly	1)
41	47H 5362	R H rear flasher lens, amber	1) MK1
41	47H 5355	L H rear flasher lens, amber	1) saloon
42	47H 5363	R H stop/tail lens	1)
42	47H 5358	L H stop/tail lens	1)
40	13H 6436	Rear lamp	2	Estate & van.

No.	PART No.	DESCRIPTION.	QTY.	REMARKS.
41	37H 4964	Rear flasher lens, amber.....	2)Estate
42	37H 4963	Rear stop/tail lens	2)& van
43	47H 5360	Rear lamp seating gasket	2)MK1
44	57H 5086	R H lamp body.	1)
44	57H 5129	L H lamp body.	1) saloon
45	47H 5590	Rear lamp.	2	Pick-up, pre 1980
45	AAU 5127	Rear lamp.	2	Pick-up, 1980 on
46	17H 5353	Chrome headlamp rim	2)Pick-up,
47	17H 5359	Rear lens.	2)pre 1980
47	264829	Rear lens.	2	Pick-up, 1980 on
48	7H 5123	Sundry fitting sets	2	
49	GLB 239	Festoon bulb	1)
50	PRC 1230A	Number plate lens/bulb holder	1) MK3 on &
51	13H 6900	Number plate lamp body	1) Clubman
52	13H 6010	Lamp body gasket.....	1)
53	BHA 4153	Chrome rear number plate lamp	1	MK1/2 saloon
53	BHA 4153	Chrome rear number plate lamp	2	Estate, van & pick-up
53	C 346	Plastic rear number plate lamp	1	MK1/2 saloon
53	C 346	Plastic rear number plate lamp	2	Estate, van & pick-up
54	83H 335	Black rear number plate lamp	1	MK1/2 saloon
54	83H 335	Black rear number plate lamp	2	Estate, van & pick-up
55	601721A	Lens unit, glass	A/R	
56	GLB 989	Bulb	A/R	
57	37H 5426	Number plate lamp base	A/R	
58	57H 5368	Lens gasket.....	A/R	
59	14A 8300	Lamp mounting bracket	2	Van & pick-up
60	13H 4398	Interior light,	1) MK1/2
61	17H 9971	Lens,	1) saloon
60	13H 8919	Interior light, clear lens	1)
61	37H 5923	Lens, clear type	1)1974 on
60	EAM 1650	Interior light, white lens	1) saloon
61	24G 3389	Lens, white type	1)
60	AFU 3003	Interior light, recess fitting	1	1985 on
62	AAU 3296A	Repeater lamp, wing fitting	2	1979 to 80
63	27H 2403	Lens for lamp	2	
64	GLB 989	Bulb	2	
65	AHU 2592	Repeater lamp, wing fitting	2	1986 on
66	DCP 8004	Bulb holder	2	
67	AFU 3112	Seaking ring	2	
68	GLB 501	Bulb	2	

Lights



The Little Car Company; tel: +31 (0)73-62 19 705; www.tlcc.nl



The Little Car Company; tel: +31 (0)73-62 19 705; www.tlcc.nl

No.	PART No.	DESCRIPTION.	QTY.	REMARKS.
1	13H 5531	Brake check light switch	1)
2	BHA 4974	Ignition warning buzzer	1) Canada.
3	13H 8600	Ignition warning buzzer	1) Germany
4	37H 4495	Switch nacelle	A/R)
5	37H 2679	Hazard warning switch	1)
6	13H 8200	Hazard warning switch	1) & Canada.
7	13H 6283	Courtesy light switch	2)
8	13H 8403	Seat belt warning light switch	1)
9	13H 6342	Light switch, illuminated	1) Canada
10	56583	Wiper switch, illuminated	1)
11	13H 8691	Hazard warning switch, illuminated	1)
12	13H 6595	Screen washer switch	1)
13	13H 5270	Bulb holder	1) 1275
14	4062110974	Bulb	1) GT
15	AAU 4749	Heated rear screen switch	1)
16	GLB 921	Bulb	1)
17	13H 1909	Heated rear screen switch	1)
18	24G 4970	Switch & warning light bracket	1)
19	YUF 101020	Heated rear screen switch, illuminated	1)
20	13H 9436	Seat belt warning light switch	1)
21	30463	Light switch	1)
22	13H 9601	Wiper switch, illuminated	1) Canada
23	13H 9603	Hazard warning switch, illuminated	1)
24	13H 9602	Washer switch, illuminated	1)
25	ADU 4794	Brake test switch	1)
25	13H 8728	Brake test switch	1) Japan
26	13H 9027	Rheostat panel switch	1) Canada
27	13H 8725	Hazard warning switch, illuminated	1) Japan
28	13H 8974	Headlamp wash/wiper switch	1) Sweden
29	13H 337	Ignition & starter switch	1) Without
30	24G 1345	Ignition switch locking barrel	1) steering lock
31	GFU 2124	Flasher switch	1) Without
37	GFU 2124	Flasher switch	1) repeater lamps
31	GFU 2125	Flasher switch	1) With repeater
37	GFU 2125	Flasher switch	1) lamps
32	13H 5516	Flasher switch bracket	1)
34	GFU 2204	Hazard warning unit	1)
34	GFU 2208	Flasher unit	1) Cooper injection
35	BHA 4780	Flasher switch bracket	1)
36	BCA 4780	Brake wear warning light, (Red)	1) Sweden
38	505782	Vacuum light switch	1) 1275 GT
39	606253A	Fuse block assembly	1) Up to
	505158A	Cover for fuse block	1) 1976.
39	RTC 440A	Fuse block assembly	1) 1976
	518995 A	Cover for fuse block	1) on
40	13H 6323	Wiper switch	1)
41	39298	Light switch	1)
42	BCA 4294	Light switch	1)
42	2A 9129	Wiper switch	1) MK1/2
43	13H 2182	Courtesy light switch	2)
44	YUE 10003	Courtesy light switch	2)
45	13H 7779	Indicator/horn switch	1) MK3
46	13H 6324	Wiper switch, 2 speed	1)
47	13H 6342	Light switch	1)
48	13H 6444	Wiper switch, 2 speed	1)
49	5L 433	Plug unit	1)
50	37H 8285	L H Wiper switch	1) 1976 to 84
50	37H 8286	R H Wiper switch	1) 1984 to 89
50	BAU 5346	R H Wiper switch	1) 1989 on
51	21A 2658	R H Indicator switch	1) 1976 to 84
51	21A 2660	L H Indicator switch	1) 1984 to 89
51	BAU 5345	L H Indicator switch	1) 1989 on
52	13H 7778	Indicator/horn switch	1) MK2
52	2A 6215	Indicator switch	1)
	47H 5200	Lens for switch, (Green)	1) MK1
	GLB 280	Bulb	1)
53	MCR 140	Wiring loom, braided	1) MK1 Mini & Cooper
53	MCR 141	Wiring loom, braided	1) MK1 Cooper & "S"
53	MCR 142	Wiring loom, braided	1) MK1 Cooper/late "S"
53	MCR 143	Wiring loom, braided	1) MK2 Cooper & "S"

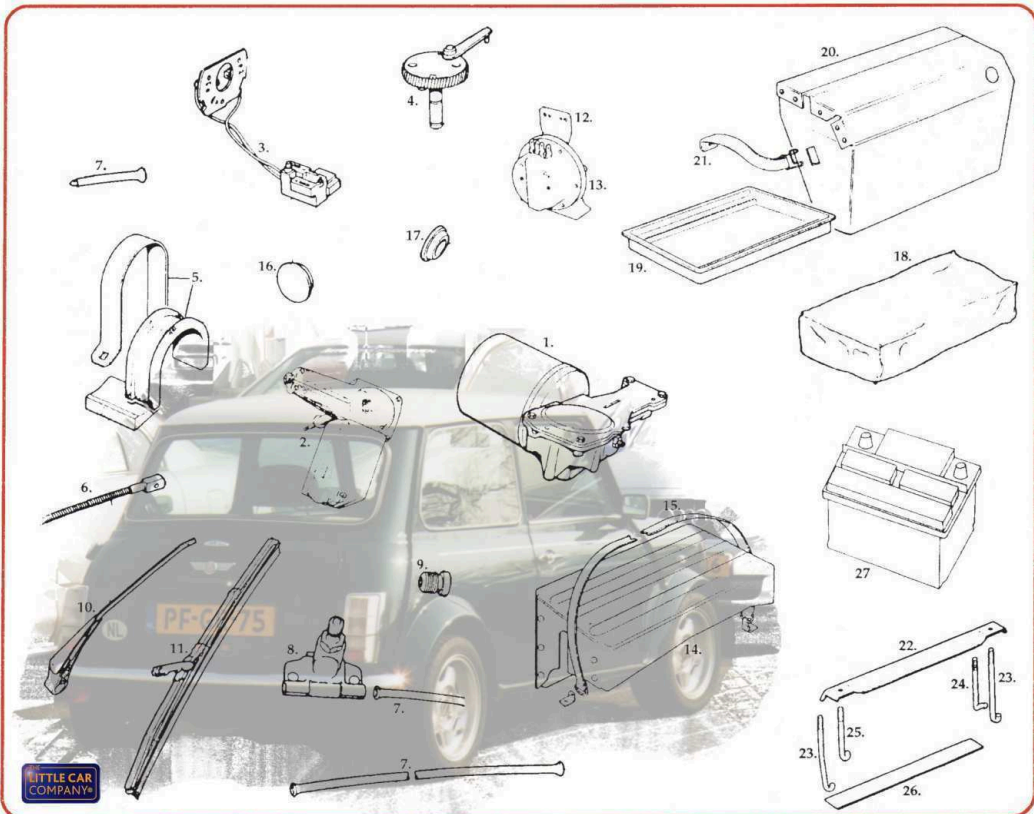
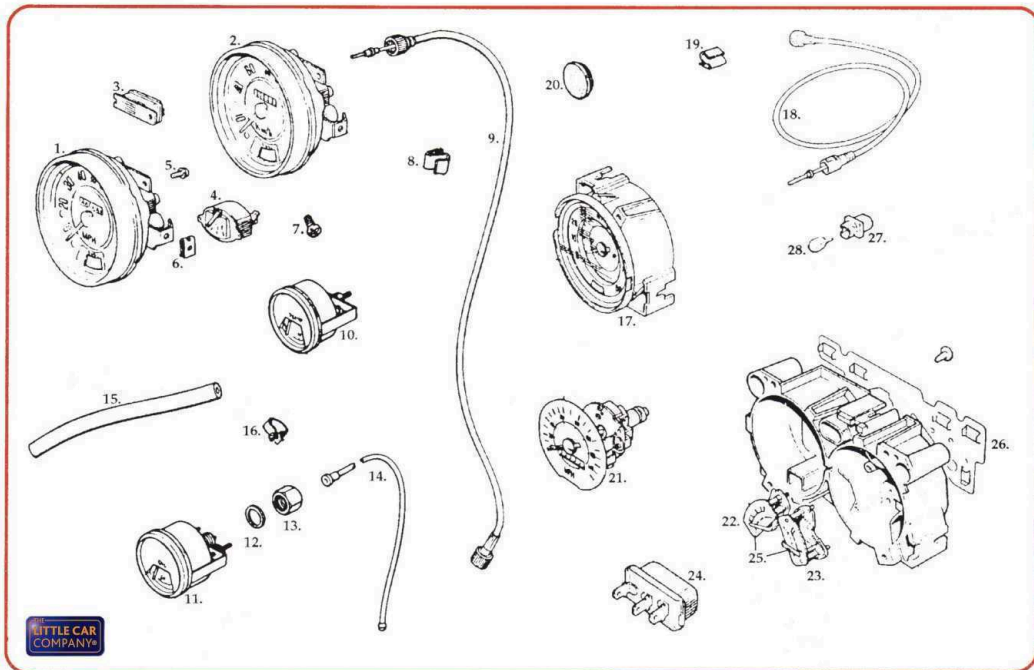


<u>No.</u>	<u>PART No.</u>	<u>DESCRIPTION.</u>	<u>QTY.</u>	<u>REMARKS.</u>
53	MCR 144	Wiring loom, PVC	1	MK2/3 Cooper "S"
53	MCR 145	Wiring loom	1	Clubman, double pod
53	MCR 146	Wiring loom	1	1275 GT, tripple pod
54	54935500	Connector	A/R	
55	13H 2041	Plug moulding, 9 way	1	
56	3H 822	Grommet	1	
57	1K 1977	Starter cable bracket	1	
58	CWB 131	Single connector	A/R	
59	8G 548	Solenoid cable cap	2	
60	BMK 1409	Plug moulding, 5 way	1	
61	5L 90	Harness clip	4	
62	14A 7033	Grommet	3	
64	AUU 1089	Battery cable, positive to starter switch	1	Saloon
64	5L 887	Battery cable, positive to starter switch	1	Estate, van & pick-up
65	YTB 10022	Battery cable, negative earth	1	Saloon
65	5L 888	Battery cable, negative earth	1	Estate, van & pick-up
66	5L 1137	Earth cable	1	
67	5L 567	Safety harness	1	
68	5L 568	Cable sleeve	1	
69	21G 9037	Starter switch cable	1	
70	FAM 437	Brake wear warning switch	1	1275 GT, Sweden
71	GHF 2700	In line fuse holder	1	
72	5L 287	Insulation sleeve	1	
73	47H 5499	Double connector, 17.5 amp	A/R	
74	GHF 2151	Terminal insulator	A/R	
75	GHF 2051	Spade terminal, 17.5 amp	A/R	
76	GHF 2152	Terminal insulator	A/R	
77	GHF 2052	Spade terminal, 35 amp	A/R	
78	GFS 3015	Fuse, 15 amp	A/R	
78	GFS 3025	Fuse, 25 amp	A/R	
78	GFS 3035	Fuse, 35 amp	A/R	
79	13H 2050	Connector	A/R	
80	BMK 447	Cover	A/R	
81	AEU 1313A	Bulb holder	A/R	
82	GLB 987	Bulb	A/R	
83	BMK 1216	Harness clip	A/R	
84	GHF 2211	Double bullet terminal connector	A/R	
85	GHF 2060	Spade terminal	A/R	
86	GHF 2210	Single bullet terminal connector	A/R	
87	GHF 2200	Bullet terminal	A/R	
88	13H 1926	Bulb holder, oil & water gauges	A/R	
89	37H 7258	Connector	A/R	



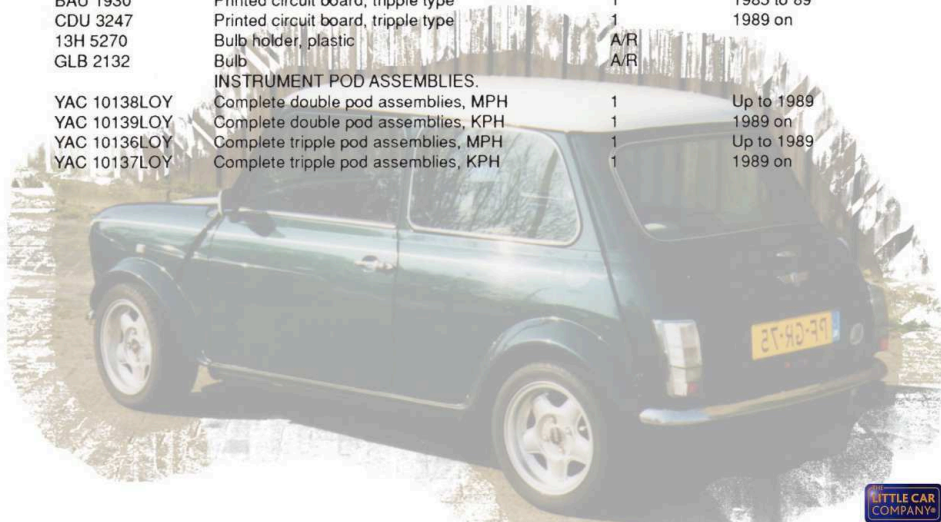
LITTLE CAR COMPANY

The Little Car Company; tel: +31 (0)73-62 19 705; www.tlcc.nl



The Little Car Company; tel: +31 (0)73-62 19 705; www.tlcc.nl

<u>No.</u>	<u>PART No.</u>	<u>DESCRIPTION.</u>	<u>QTY.</u>	<u>REMARKS.</u>
1	ADU 2341	Speedo, 90 MPH	1	3.44 final drive
1	ADU 2345	Speedo, 90 MPH	1	3.76 final drive
1	13H 4442	Speedo, 130 MPH	1) Cooper "S"
2	13H 4444	Speedo, 200 KPH	1)
2	ADU 2343	Speedo, 140 KPH	1	3.44 final drive
3	C 34770A	Voltage stabiliser	1	BR 1310/00
3	13H 3554	Voltage stabiliser	1	BR 1309/00
4	13H 2133	Fuel gauge	1	Black face
5	WF 704061	Screw	2	
6	17H 2795	Nut	2	
7	PMZ 308	Screw	2	
8	5L 90	Clip	1	
9	GSD 101	Speedo cable	1	24" long
9	GSD 152	Speedo cable	1	26" long
9	GSD 102	Speedo cable	1	33" long
10	13H 4460	Water temperature gauge	1)
11	13H 4459	Oil pressure gauge	1)MK1/2
12	2K 4936B	Pipe seal	1)
13	11B 2037	Pipe nut	1)Cooper &
14	21A 804	Oil pressure pipe	1)
15	FAM 2807	Oil pressure hose	1)Cooper "S"
16	AAU 1818	Oil hose clip	2)
17	CDU 3230	Tachometer	1	Up to 1989
17	YAE 10004	Tachometer	1	1989 on
18	GSD 102	Speedo cable	1	33" long
18	GSD 415	Speedo cable	1	35" long
19	5L 90	Clip	1	
20	14A 7081	Blanking grommet	1	Unused speedo hole
21	CDU 3227	Speedo, MPH	1	
21	CDU 3228	Speedo, KPH	1	
21	YBC 10027	Speedo, MPH	1	
21	YBC 10028	Speedo, KPH	1	
22	13H 5893	Fuel gauge	1	Up to 1983
22	ADU 6455	Fuel gauge	1	1983 to 85
22	BAU 5405	Fuel gauge	1	1985 on
23	13H 5894	Temperature gauge	1	Up to 1983
23	ADU 6456	Temperature gauge	1	1983 to 85
23	BAU 5406	Temperature gauge	1	1985 on
24	BMK 1539A	Voltage stabiliser	1	BR 1303/20
25	CDU 3229	Fuel & temperature gauges	1	1985 to 89
25	YAD 10002	Fuel & temperature gauges	1	1989 on
26	37H 4881	Printed circuit board, double type	1	1985 to 89
26	CDU 3246	Printed circuit board, double type	1	1989 on
26	BAU 1930	Printed circuit board, tripple type	1	1985 to 89
26	CDU 3247	Printed circuit board, tripple type	1	1989 on
27	13H 5270	Bulb holder, plastic	A/R	
28	GLB 2132	Bulb	A/R	
		INSTRUMENT POD ASSEMBLIES.		
	YAC 10138LOY	Complete double pod assemblies, MPH	1	Up to 1989
	YAC 10139LOY	Complete double pod assemblies, KPH	1	1989 on
	YAC 10136LOY	Complete tripple pod assemblies, MPH	1	Up to 1989
	YAC 10137LOY	Complete tripple pod assemblies, KPH	1	1989 on



THE LITTLE CAR COMPANY

<u>No.</u>	<u>PART No.</u>	<u>DESCRIPTION.</u>	<u>QTY.</u>	<u>REMARKS.</u>
1	GXE 7708	Wiper motor, round body	1	2 speed type
2	GXE 7714	Wiper motor, square body	1	MK1 type
3	520160 A	Self parking switch	1	2 speed type
4	608092 A	Drive gear, 46 teeth	1	Saloon
5	37H 4836	Retaining strap & seal	1	Round body type
6	RTC 202A	Wiper rack cable	1	
7	AAU 1909A	Rack tube kit	1	
8	37H 7200	Wiper wheelbox, 32 teeth	2	Octagonal nut type
	37H 6042	Wheelbox bush kit	2	Suits 37H 6100
	37H 7201	Wheelbox bush kit	2	Suits 37H 7200
	17H 8769	Wheelbox nut	2	Octagonal type
9	37H 3694	Wiper motor ferrule	1	
10	U 70344	Wiper arm, stainless steel type	2	MK1/2/3
10	CZH 4173	Wiper arm, black	2	R H parking
10	CZH 4331	Wiper arm, black	2	L H parking
10	DKB 101480	Wiper arm, black	2	1990 on, R H D
10	DKB 101490	Wiper arm, black	2	1990 on, L H D
11	B 05110	Stainless 10" wiper blade	2	
11	GWB 811	Black 11" wiper blade	2	
11	GWB 341	Wiper blade, black, hook type	2	1990 on
12	GGE 113	Horn bracket	1	
13	GGE 102	Horn, single terminal type	1) Hightone
13	GGE 164	Horn, twin terminal type	1) types
13	GGE 165	Horn, twin terminal type	1	Lowtone type
14	5L 877	Battery box cover	1) Saloon
15	14A 7776	Cover strap	1)
16	CZG 778	Wiper motor dash hole blanking plug	1	
17	14A 7091	Wiper wheelbox hole blanking plug	2	
18	14B 8816	Battery cover	1	Clubman estate
19	14A 7826	Battery tray	1) Van &
20	14A 7827	Battery cover	1)
21	14A 7828	Cover strap	2) pick-up
22	14A 8195	Battery retaining bar	1	Van
22	HAM 2457	Battery retaining bar	1	Saloon
23	24A 134	Retaining bolt, long	2	Van
24	5L 1159	Retaining bolt, front	1) Saloon
25	5L 1158	Retaining bolt, rear	1)
26	37H 3743M	Battery packing	A/R	
27	LBU 001	Battery	1	Cooper/S/Injection
27	LBU 038	Battery	1	All models
27	LBU 015	Battery	1	High specification

